

 **BOEING**  
COMPONENT  
MAINTENANCE MANUAL

TO: ALL HOLDERS OF AFT ATTENDANTS PANEL ASSEMBLY COMPONENT MAINTENANCE  
MANUAL 25-29-54

REVISION NO. 12 DATED MAR 01/04

HIGHLIGHTS

Pages which have been added or revised are outlined below together with the highlights of the revision. Remove and insert the affected pages as listed and enter Revision No. and date on the Record of Revision Sheet.

CHAPTER/SECTION

AND PAGE NO.

101

1012-1013,1037,1071

DESCRIPTION OF CHANGE

Updated the Illustrated Parts List per latest engineering data. Changed the test equipment list to allow the use of any Simpson 260 series multimeter.

**25-29-54**

HIGHLIGHTS

01.1

Page 1

Mar 01/04

## AFT ATTENDANTS PANEL ASSEMBLY

PART NUMBERS 417T6010-34,-35,-37,-39,  
-40 THRU -43,  
-46 THRU -56,-74  
285T0629-49,-52,-53,-55,-58,  
-62 THRU -66,-68,  
-71 THRU -73,-75,-78

COMPONENT MAINTENANCE MANUAL  
WITH  
ILLUSTRATED PARTS LIST

**25-29-54**

TITLE PAGE

Page 1

Oct 01/91

01.1

REVISION RECORD

- Retain this record in front of manual. On receipt of revision, insert revised pages in the manual, and enter revision number, date inserted and initial.

REVISION NUMBER	REVISION DATE	DATE FILED	BY	REVISION NUMBER	REVISION DATE	DATE FILED	BY

**25-29-54**

REVISION RECORD

01.1

Page 1

Oct 01/91

TEMPORARY REVISION AND SERVICE BULLETIN RECORD

BOEING SERVICE BULLETIN	BOEING TEMPORARY REVISION	OTHER DIRECTIVE	DATE OF INCORPORATION INTO MANUAL
417T6010-25-01 417T6010-25-03 767-38-0021 417T6010-25-02		PRR C12025 MC B1521-003 PRR C12041 MC B1381-002 PRR 10977 PRR B11637 MC 3830MK6003	OCT 10/84 OCT 10/84 OCT 10/85 OCT 10/85 JUL 10/86 APR 01/88 JUL 01/89 JUL 01/89 OCT 01/91

**25-29-54**

TR & SB RECORD

01.1

Page 1

Oct 01/91

PAGE	DATE	CODE	PAGE	DATE	CODE
25-29-54			TESTING & TROUBLE SHOOTING CONT.		
TITLE PAGE			112	MAR 01/02	01.101
1	OCT 01/91	01.1	113	MAR 01/02	01.101
2	BLANK		114	MAR 01/02	01.101
REVISION RECORD			115	MAR 01/02	01.101
1	OCT 01/91	01.1	116	MAR 01/02	01.101
2	BLANK		117	MAR 01/02	01.101
TR & SB RECORD			118	MAR 01/02	01.101
1	OCT 01/91	01.1	119	MAR 01/02	01.101
2	BLANK		120	MAR 01/02	01.101
LIST OF EFFECTIVE PAGES			121	MAR 01/02	01.101
*1	MAR 01/04	01	122	MAR 01/02	01.101
THRU LAST PAGE			123	MAR 01/02	01.101
CONTENTS			124	MAR 01/02	01.101
1	OCT 01/91	01.1	125	MAR 01/02	01.101
2	BLANK		126	MAR 01/02	01.101
INTRODUCTION			REPAIR-GENERAL		
1	OCT 01/91	01.1	601	OCT 01/91	01.1
2	BLANK		602	OCT 01/91	01.1
DESCRIPTION & OPERATION			ILLUSTRATED PARTS LIST		
1	OCT 01/91	01.1	1001	OCT 01/91	01.1
2	BLANK		1002	NOV 01/01	01.1
TESTING & TROUBLE SHOOTING			1003	NOV 01/01	01.1
*101	MAR 01/04	01.1	1004	NOV 01/01	01.1
102	JUL 01/92	01.1	1005	NOV 01/01	01.1
103	MAR 01/02	01.1	1006	NOV 01/01	01.1
104	MAR 01/02	01.101	1007	NOV 01/01	01.1
105	MAR 01/02	01.101	1008	NOV 01/01	01.1
106	MAR 01/02	01.101	1009	NOV 01/01	01.1
107	MAR 01/02	01.101	1010	NOV 01/01	01.1
108	MAR 01/02	01.101	1011	NOV 01/01	01.1
109	MAR 01/02	01.101	*1012	MAR 01/04	01.1
110	MAR 01/02	01.101	*1013	MAR 01/04	01.1
111	MAR 01/02	01.101	1014	NOV 01/01	01.1
			1015	NOV 01/01	01.1
			1016	NOV 01/01	01.1
			1017	NOV 01/01	01.1
			1018	NOV 01/01	01.1
			1019	NOV 01/01	01.1
			1020	NOV 01/01	01.1
			1021	NOV 01/01	01.1

\* = REVISED, ADDED OR DELETED

**25-29-54**

EFFECTIVE PAGES  
CONTINUED Page 1  
01 Mar 01/04

PAGE	DATE	CODE	PAGE	DATE	CODE
ILLUSTRATED PARTS LIST		CONT.	ILLUSTRATED PARTS LIST		CONT.
1022	NOV 01/01	01.1	1064	NOV 01/01	01.1
1023	NOV 01/01	01.1	1065	BLANK	
1024	NOV 01/01	01.1	1066	NOV 01/01	01.1
1025	NOV 01/01	01.1	1067	NOV 01/01	01.1
1026	NOV 01/01	01.1	1068	NOV 01/01	01.1
1027	NOV 01/01	01.1	1069	NOV 01/01	01.1
1028	NOV 01/01	01.1	1070	NOV 01/01	01.1
1029	NOV 01/01	01.1	*1071	MAR 01/04	01.1
1030	NOV 01/01	01.1	1072	NOV 01/01	01.1
1031	NOV 01/01	01.1	1073	NOV 01/01	01.1
1032	NOV 01/01	01.1	1074	NOV 01/01	01.1
1033	NOV 01/01	01.1	1075	NOV 01/01	01.1
1034	NOV 01/01	01.1	1076	BLANK	
1035	NOV 01/01	01.1			
1036	NOV 01/01	01.1			
*1037	MAR 01/04	01.1			
1038	NOV 01/01	01.1			
1039	NOV 01/01	01.1			
1040	NOV 01/01	01.1			
1041	NOV 01/01	01.1			
1042	NOV 01/01	01.1			
1043	NOV 01/01	01.1			
1044	NOV 01/01	01.1			
1045	BLANK				
1046	NOV 01/01	01.1			
1047	NOV 01/01	01.1			
1048	NOV 01/01	01.1			
1049	NOV 01/01	01.1			
1050	NOV 01/01	01.1			
1051	NOV 01/01	01.1			
1052	NOV 01/01	01.1			
1053	NOV 01/01	01.1			
1054	NOV 01/01	01.1			
1055	NOV 01/01	01.1			
1056	NOV 01/01	01.1			
1057	NOV 01/01	01.1			
1058	NOV 01/01	01.1			
1059	NOV 01/01	01.1			
1060	NOV 01/01	01.1			
1061	NOV 01/01	01.1			
1062	NOV 01/01	01.1			
1063	NOV 01/01	01.1			

\* = REVISED, ADDED OR DELETED

**25-29-54**

EFFECTIVE PAGES  
 LAST PAGE Page 2  
 01 Mar 01/04

TABLE OF CONTENTS

<u>Paragraph Title</u>	<u>Page</u>
Description and Operation . . . . .	1
Testing and Trouble Shooting . . . . .	101
Disassembly . . . . .*[1]	
Cleaning . . . . .*[1]	
Check . . . . .*[1]	
Repair . . . . .	601
Assembly . . . . .*[2]	
Fits and Clearances (not applicable)	
Special Tools, Fixtures, and Equipment . . . . .*[1]	
Illustrated Parts List . . . . .	1001

\*[1] Use applicable procedures in 20-11-04 and standard industry practices.

\*[2] Special instructions not required.

## INTRODUCTION

The instructions in this manual supply the data necessary to do the maintenance functions together with the test, trouble shooting, and replacement of the defective components.

This manual is divided into different parts:

- |   |                             |
|---|-----------------------------|
| 1. Title Page                                       | 4. List of Effective Pages  |
| 2. Record of Revisions                              | 5. Table of Contents        |
| 3. Temporary Revisions &<br>Service Bulletin Record | 6. Introduction             |
|   | 7. Procedures and IPL Parts |

Refer to the Table of Contents for the page location of the applicable parts.

All dimensions, measures, quantities and weights used in the manual are in English units. When metric equivalents are given they will be in parentheses that follow the English units.

The Illustrated Parts List (IPL) is used as shown in the introduction of that part.

Design changes, optional parts, configuration differences and Service Bulletin modifications cause different part numbers. These part numbers are identified in the IPL with an alphabetical character added to the end of the basic item number. The new item number is referred to as an alpha-variant. Throughout the manual, IPL basic item numbers also apply to alpha-variants unless shown differently.

Verification:

Testing/TS AUG 6/85

**25-29-54**

INTRODUCTION

01.1

Page 1

Oct 01/91



AFT ATTENDANTS PANEL ASSEMBLY

DESCRIPTION AND OPERATION

**CAUTION:** OBEY THE PROCEDURES IN 20-12-02, HANDLING OF ELECTROSTATIC SENSITIVE DEVICES, FOR COMPONENTS 285T0629-55 AND 417T6010-41. ELECTROSTATIC DISCHARGE CAN CAUSE DAMAGE TO THEIR COMPONENTS.

1. The aft attendants panel assembly has switches, diode module (on some assemblies), and indicator(s) installed on a plastic shell. A wire bundle connects the different components and supplies two connectors as the interface with airplane wiring.
2. The water signal unit installed in 417T6010-41 is covered in 38-14-51.

**25-29-54**

DESCRIPTION & OPERATION

01.1

Page 1

Oct 01/91

TESTING AND TROUBLE SHOOTING

CAUTION: OBEY THE PROCEDURES IN 20-12-02, HANDLING OF ELECTROSTATIC SENSITIVE DEVICES, FOR COMPONENTS 285T0629-55 AND 417T6010-41. ELECTROSTATIC DISCHARGE CAN CAUSE DAMAGE TO THEIR COMPONENTS.

1. Test Equipment

A. Power Supply: 28 vdc, 2 ampere  
10 vdc  
Variable, 0 to -15 vdc

B. Multimeter: Any Simpson 260 series model, or equivalent  
Fluke 8050A, or equivalent

C. Test Connectors:

BACC45FN24-61S (connects with P1)  
BACC45FN16-24S (connects with P2)

Boeing Breakout Box A33003-2 with cables A33003-65 and A33003-30 may be used.

2. Functional Test

- A. Identify the part under test. Refer to chart below for part dash number applicability. This will give the figure and sheets to use for the functional test. Fig. 102 and 103 are for the functional test, Fig. 104 is the schematics.
- B. For component identification and location, refer to Fig. 101.
- C. Do the functional test as specified in Fig. 102 and Fig. 103. Apply voltage as necessary for the step, do the step and remove voltage. Refer to component tested column for suspect component(s) should there be a failure.

25-29-54

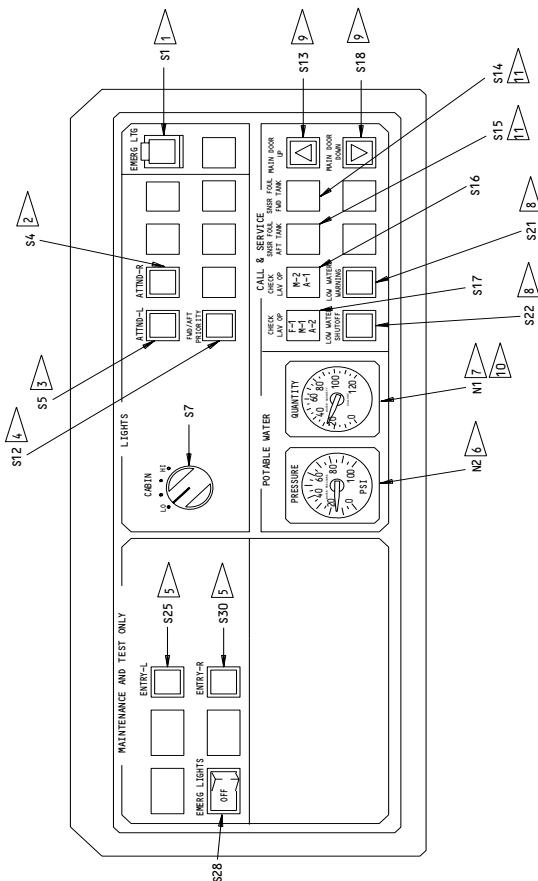
### 3. Test Figure Applicability Chart

FIG.	SH	PANEL ASSEMBLY 417T6010																				
		ALL	-34	-35	-37	-39	-40	-41	-42	-43	-46	-47	-48	-49	-50	-51	-52	-53	-54	-55	-56	-74
101	--	X																				
102	1			X	X			X	X		X	X	X	X				X	X		X	
102	2						X															
102	3		X																			
102	4																					
102	5					X											X			X		X
102	6								X							X						
102	7																					
103	1	X																				
103	2		X	X	X	X	X		X	X	X	X	X	X	X			X	X	X	X	X
103	3							X														
104	1	X																				
104	2		X																			
104	3				X					X												
104	4					X											X			X		
104	5						X															
104	6							X														
104	7								X													
104	8													X								
104	9								X													
104	10									X					X							
104	11										X						X	X				
104	12			X								X	X	X							X	
104	13																					X

FIG.	SH	PANEL ASSEMBLY 285T0629																
		ALL	-49	-52	-53	-55	-58	-62	-63	-64	-65	-66	-68	-71	-72	-73	-75	-78
101	--	X																
102	1		X			X	X	X	X	X			X	X	X		X	X
102	2																	
102	3																	
102	4			X	X										X			
102	5			X	X										X			
102	6									X	X							
102	7	X																
103	1	X																
103	2		X	X	X		X	X		X	X	X	X	X		X	X	
103	3					X			X									
104	1	X																
104	2																	
104	3		X						X									
104	4			X												X		
104	5																	
104	6					X												
104	7					X												
104	8													X				
104	9						X											
104	10								X	X								
104	11							X	X			X					X	
104	12						X	X						X				
104	13				X													

Test Figure Applicability Chart  
 Figure 100

**25-29-54**



- 1 INSTALLED ON 41776010-34,-42,-46; 285T0629-58,-64
- 2 INSTALLED ON ALL EXCEPT 41776010-43,-51,-53,-54;  
285T0629-65,-66,-68,-78
- 3 INSTALLED ON ALL EXCEPT 41776010-39,-40,-43,-52,-55,-74;  
285T0629-52,-53,-65,-73
- 4 INSTALLED ON 41776010-40
- 5 INSTALLED ON ALL EXCEPT 41776010-34
- 6 INSTALLED ON 41776010-34
- 7 QUANTITY SHOWN IN LITRES ON 41776010-41,-47,-49,-50,  
285T0629-55,-63,-71,-72
- 8 INSTALLED ON 41776010-41,-74, 285T0629-52,-55
- 9 INSTALLED ON 41776010-43 AND 285T0629-65 ONLY
- 10 NOT INSTALLED ON 41776010-52, 285T0629-73
- 11 INSTALLED ON 285T0629-( ) ONLY

NOTE: SWITCH NOMENCLATURE NOT SHOWN FOR EACH CONFIGURATION.

Component Identification  
Figure 101

25-29-54

APPLY 28V DC + -	SWITCH OPERATION	CONTI- NUITY BETWEEN	OPEN BETWEEN	INDICATOR(S) ON	COMPONENT TESTED
<u>P1 PINS</u>	PUSH THE SWITCHES SEVERAL TIMES AND THEN LEAVE ON <u>417T6010-50,285T0629-72</u> <u>ONLY</u>		<u>P1 PINS</u>	THE LIGHT SWITCHES COME ON AND GO OFF AND THEN STAY ON	
13 11	S3 <u>ALL EXCEPT 417T6010-53,-54</u> <u>AND 285T0629-68,-78</u>			S3	S3
13 11	S4 <u>ALL EXCEPT 417T6010-42</u> <u>AND 285T0629-58</u>			S4	S4
13 11	S5 <u>ALL</u>			S5	S5
13 11	S25			S25	S25
13 11	S30			S30	S30
13 11	PUSH S28			S28 ON	S28
13 11	RELEASE S28			S28 OFF	
			37 & 38		
	PUSH AND HOLD S28 RELEASE S28 <u>ALL EXCEPT 417T6010-53,-54</u> <u>AND 285T0629-68,-78</u>	37 & 38			
	<u>ALL EXCEPT 417T6010-42</u> <u>AND 285T0629-58</u>	13 & 16			S4
	<u>417T6010-50,285T0629-72</u> <u>ONLY</u>	13 & 15			S5
	<u>ALL</u>	13 & 17			S3
			13 & 14		K1
34 36		13 & 14			
			13 & 12		K2
34 35	PUSH S4,S5,S25,S30 (TO OFF)	13 & 12			
<u>P2 PINS</u>			<u>P2 PINS</u>		
9 8				S17 ON	S17
9 13				S17 OFF	
9 13	PUSH S17 MOMENTARILY			S17 ON	
11 10				S16 ON	S16
11 12				S16 OFF	
11 12	PUSH S16 MOMENTARILY			S16 ON	

417T6010-35,-37,-41,-42,-46,-47,-48,-49,-50,-53,-54,-56  
285T0629-49,-55,-58,-62,-63,-64,-68,-71,-72,-75,-78

Functional Test  
Figure 102 (Sheet 1)

**25-29-54**

TESTING & TROUBLE SHOOTING  
01.101 Page 104  
Mar 01/02

APPLY 28V DC + -	SWITCH OPERATION	CONTI- NUITY BETWEEN	OPEN BETWEEN	INDICATOR(S) ON	COMPONENT TESTED
	PUSH THE SWITCHES SEVERAL TIMES AND THEN LEAVE ON		<u>P1 PINS</u>	THE LIGHT SWITCHES COME ON AND GO OFF AND THEN STAY ON	
13 11	S4			S4	S4
13 11	S25			S25	S25
13 11	S30			S30	S30
13 11	PUSH S28			S28 ON	S28
13 11	RELEASE S28			S28 OFF	
	PUSH AND HOLD S28	37 & 38 13 & 16	37 & 38		
34 36		13 & 14	13 & 14		K1
34 35		13 & 12	13 & 12		K2
	PUSH S4,S25,S30 (TO OFF) AND RELEASE S28				
13 51			38 & 50	S12	S12
13 51	PUSH S12 (TO ON)	38 & 50		S12	
			<u>P2 PINS</u>		
9 8				S17 ON	S17
9 13				S17 OFF	
9 13	PUSH S17 MOMENTARILY			S17 ON	
11 10				S16 ON	S16
11 12				S16 OFF	
11 12	PUSH S16 MOMENTARILY			S16 ON	

417T6010-40

Functional Test  
Figure 102 (Sheet 2)

**25-29-54**

TESTING & TROUBLE SHOOTING  
01.101 Page 105  
Mar 01/02

APPLY 28V DC + -	SWITCH OPERATION	CONTI- NUITY BETWEEN	OPEN BETWEEN	INDICATOR(S) ON	COMPONENT TESTED
<u>P1 PINS</u>	PUSH THE SWITCHES SEVERAL TIMES AND THEN LEAVE ON		<u>P1 PINS</u>	THE LIGHT SWITCHES COME ON AND GO OFF AND THEN STAY ON	
13 11	S4			S4	S4
13 11	S5			S5	S5
13 11	PUSH S28			S28 ON	S28
13 11	RELEASE S28			S28 OFF	
	PUSH AND HOLD S28		37 & 38		
		37 & 38			
		13 & 16			
		13 & 15			
34 36			13 & 14		K1
		13 & 14			
34 35			13 & 12		K2
	PUSH S4 AND S5 (TO OFF) AND RELEASE S28	13 & 12			
<u>P2 PINS</u>			<u>P2 PINS</u>		
9 8				S17 ON	S17
9 13				S17 OFF	
9 13	PUSH S17 MOMENTARILY			S17 ON	
11 10				S16 ON	S16
11 12				S16 OFF	
11 12	PUSH S16 MOMENTARILY			S16 ON	

417T6010-34

 Functional Test  
 Figure 102 (Sheet 3)

**25-29-54**

 TESTING & TROUBLE SHOOTING  
 01.101 Page 106  
 Mar 01/02

APPLY 28V DC + -	SWITCH OPERATION	CONTI- NUITY BETWEEN	OPEN BETWEEN	INDICATOR(S) ON	COMPONENT TESTED
<u>P1 PINS</u>	PUSH THE SWITCHES SEVERAL TIMES AND THEN LEAVE ON		<u>P1 PINS</u>	THE LIGHT SWITCHES COME ON AND GO OFF AND THEN STAY ON	
13 11	S4			S4	S4
13 11	S25			S25	S25
13 11	S30			S30	S30
13 11	PUSH S28			S28 ON	S28
13 11	RELEASE S28			S28 OFF	
	PUSH AND HOLD S28	37 & 38	37 & 38		
		13 & 16			
			13 & 14		K1
34 36		13 & 14			
			13 & 12		K2
34 35	PUSH S4,S25,S30 (TO OFF) AND RELEASE S28	13 & 12			

417T6010-39,-52,-55,-74  
 285T0629-52,-53,-73

Functional Test  
 Figure 102 (Sheet 4)

**25-29-54**

TESTING & TROUBLE SHOOTING  
 01.101 Page 107  
 Mar 01/02



APPLY 28V DC + -	SWITCH OPERATION	CONTI- NUITY BETWEEN	OPEN BETWEEN	INDICATOR(S) ON	COMPONENT TESTED
<u>P2 PINS</u>		<u>P2 PINS</u>			
9 8				S17 ON	S17
9 13				S17 OFF	
9 13	PUSH S17 MOMENTARILY			S17 ON	
11 10				S16 ON	S16
11 12				S16 OFF	
11 12	PUSH S16 MOMENTARILY			S16 ON	
	<u>417T6010-74; 285T0629-53</u> <u>ONLY</u>				
	CONNECT 28V DC TO P1-34				
P2-23			P1-38 & P2-4		K5
	PUSH S21 TO ON				
P1-38		P1-38 & P2-4		S21 ON	S21, K5
P2-5			P1-38 & P2-4		K5
	PUSH S21 TO OFF			S21 OFF	S21, K5
P2-3			P1-38 & P2-1		K4
	PUSH S22 TO ON				
P1-38		P1-38 & P2-1		S22 ON	S22, K4
P2-2			P1-38 & P2-1		K4
	PUSH S22 TO OFF			S22 OFF	S22, K4

 417T6010-39,-52,-55,-74  
 285T0629-52,-53,-73

 Functional Test  
 Figure 102 (Sheet 5)

**25-29-54**

 TESTING & TROUBLE SHOOTING  
 01.101 Page 108  
 Mar 01/02

APPLY 28V DC + -	SWITCH OPERATION	CONTI- NUITY BETWEEN	OPEN BETWEEN	INDICATOR(S) ON	COMPONENT TESTED
<u>P1 PINS</u>	PUSH THE SWITCHES SEVERAL TIMES AND THEN LEAVE ON		<u>P1 PINS</u>	THE LIGHT SWITCHES COME ON AND GO OFF AND THEN STAY ON	
13 11	S25			S25	S25
13 11	S30			S30	S30
13 11	PUSH S28			S28 ON	S28
13 11	RELEASE S28		37 & 38	S28 OFF	
	PUSH AND HOLD S28	37 & 38	13 & 12 13 & 14		
34 36		13 & 14	13 & 12		K1
34 35		13 & 12	13 & 14		K2
	PUSH S25,S30 (TO OFF) AND RELEASE S28				
	<u>417T6010-43; 285T0629-65 ONLY</u>				
49 22	PUSH AND HOLD S13			S13 ON	S13
49 22	RELEASE S13	28 & 49		S13 OFF	
		27 & 26	27 & 49		
	PUSH S12 MOMENTARILY	27 & 49	28 & 49		
24 22	PUSH AND HOLD S18			S18 ON	S18
24 22	RELEASE S18	48 & 24		S18 OFF	
		25 & 23	25 & 24		
	PUSH S18 MOMENTARILY	25 & 24	48 & 24		
	<u>ALL</u>				
<u>P2 PINS</u>			<u>P2 PINS</u>		
9 8				S17 ON	S17
9 13				S17 OFF	
9 13	PUSH S17 MOMENTARILY			S17 ON	
11 10				S16 ON	S16
11 12				S16 OFF	
11 12	PUSH S16 MOMENTARILY			S16 ON	

417T6010-43,-51  
285T0629-65,-66

Functional Test  
Figure 102 (Sheet 6)

**25-29-54**

TESTING & TROUBLE SHOOTING  
01.101 Page 109  
Mar 01/02

APPLY 28V DC + -	SWITCH OPERATION	CONTI- NUITY BETWEEN	OPEN BETWEEN	INDICATOR(S) ON	COMPONENT TESTED
<u>P2 PINS</u>			<u>P2 PINS</u>		
20 21				S14 ON	S14
20 10				S14 OFF	
20 10	PUSH S14 MOMENTARILY			S14 ON	
17 18				S15 ON	S15
17 8				S15 OFF	
17 8	PUSH S15 MOMENTARILY			S15 ON	

285T0629-( ) ONLY

Functional Test  
 Figure 102 (Sheet 7)

**25-29-54**

TESTING & TROUBLE SHOOTING  
 01.101 Page 110  
 Mar 01/02

COMPONENT TESTED	PROCEDURE	REQUIRED RESULTS			
TB1	<u>417T6010-34 ONLY</u> Measure between P2 pins:  1 and 2 + 3 and 2 + 2 and 3	171 to 189 ohms 50 ohms max 100 kilohms min			
S7	<u>ALL</u> Measure between P1 pins:  1 and 3 4 and 6 5 and 6 7 and 10 8 and 10 31 and 32 <u>ALL EXCEPT 417T6010-43,-51;  285T0629-65,-66</u> 2 and 3 9 and 10 <u>417T6010-43,-51; 285T0629-65,-  -66 ONLY</u> 2 and 3 9 and 10	POS. 1 (full CCW)	POS. 2	POS. 3	POS. 4 (full CW)
		OPEN OPEN CON OPEN OPEN OPEN CON	OPEN OPEN OPEN OPEN CON OPEN	CON OPEN OPEN OPEN OPEN OPEN	CON CON OPEN CON OPEN OPEN
		OPEN OPEN	CON OPEN	CON CON	CON CON
		OPEN OPEN	OPEN CON	CON CON	CON CON
S1	<u>417T6010-34,-42,-46;  285T0629-58,-64 ONLY</u> Apply 28V DC between P1 pins: 21(+) and 25(-) Push S1 several times then Leave ON Remove power Measure between P1 pins: 25 and 24 25 and 33 Push S1 (to OFF) Measure between P1 pins: 25 and 24 25 and 33	S1 alternately ON/OFF then ON   CON OPEN   OPEN CON			

Functional Test  
Figure 103 (Sheet 1)

**25-29-54**

COMPONENT TESTED	PROCEDURE	REQUIRED RESULTS
N1	Apply 5V DC between P2 pins 6(-) and 7(+)	Gage indicates 58 to 62 gallons (220 to 230 litres)
N2	<u>417T6010-34 ONLY</u> Apply 10V DC between P2 pins 4(-) and 5(+)	Gage indicates 48 to 52 psi
N1	<u>417T6010-34, -35, -37, -39, -42, -43, -46, -47, -51, -53, -54;</u> <u>285T0629-49, -52, -63 THRU -66, -68, -78</u> Apply GND to pin P2-7 and 0V DC (Power Supply; 0 to -10V DC) to pin P2-6.  Adjust voltage to have gage measure exactly 0 GAL (0 L) (SOME GAGES MARKED IN LITRES, SOME IN GALLONS)  Adjust voltage to have gage measure exactly:  40 GAL (151 L)      -3.53 to -3.13V DC 80 GAL (300 L)      -6.87 to -6.67V DC 120 GAL (455 L)     -10.20 to -9.80V DC	Voltage measures -0.20 to 0.0V DC
N1	<u>417T6010-48, -49, -50, -55, -56, -74;</u> <u>285T0629-53, -62, -71, -72, -75</u> Apply GND to pin P2-7 and 0V DC (Power Supply; 0 to -10V DC) to pin P2-6.  Adjust voltage to have gage measure exactly 0 GAL (0 L) (SOME GAGES MARKED IN LITRES, SOME IN GALLONS)  Adjust voltage to have gage measure exactly:  20 GAL (75 L)        -1.87 to -1.47V DC 40 GAL (150 L)       -3.26 to -2.86V DC 60 GAL (230 L)       -4.43 to -4.03V DC 80 GAL (300 L)       -5.48 to -5.08V DC 100 GAL (380 L)      -6.53 to -6.13V DC 120 GAL (455 L)      -7.53 to -7.13V DC 140 GAL (530 L)      -8.58 to -8.18V DC 160 GAL (605 L)      -10.20 to -9.80V DC	Voltage measures -0.20 to 0.0V DC

ALL EXCEPT 417T6010-41,-52; 285T0629-55,-73

Functional Test  
Figure 103 (Sheet 2)

**25-29-54**

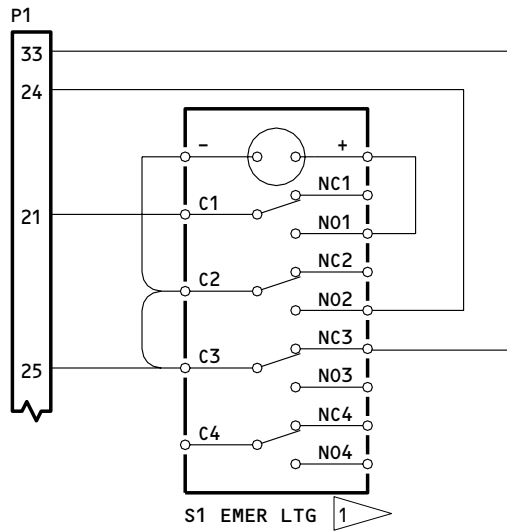
TESTING & TROUBLE SHOOTING  
01.101 Page 112  
Mar 01/02

COMPONENTS TESTED	PROCEDURE	REQUIRED RESULTS
K3,M1,N1, S21,S22	<p>Push S21 and S22 to off (if necessary).</p> <p>Connect P2-1 and P2-7 to P2-14 (ground).</p> <p>Apply +28V DC between P2-3(+) and ground (-).</p> <p>Apply -5V DC between P2-6(-) and ground (+).</p> <p>Slowly decrease -5V DC until S21 starts to flash.</p> <p>Push S21 (to on).</p> <p>Push low water shutoff switch-indicator (S22)(to on).</p> <p>Remove -5 and +28V DC power.</p> <p>Disconnect P2-1,P2-7, and P2-14.</p>	<p>Caps out (up).</p> <p>+28V DC between P2-16 and ground.</p> <p>0V DC between P2-15 and ground.</p> <p>Low water warning switch-indicator (S21) does not flash.</p> <p>Gage N1 indicates 220 to 230 litres.</p> <p>-1.77 to -1.57V DC (measured) between P2-6 and ground.</p> <p>Gage N1 indicates approximately 76 litres.</p> <p>Indicator stops flashing and stays on.</p> <p>Indicator comes on and stays on.</p> <p>0V DC between P2-16 and ground.</p> <p>+28V DC between P2-15 and ground.</p>

417T6010-41  
285T0629-55  
Functional Test  
Figure 103 (Sheet 3)

**25-29-54**

TESTING & TROUBLE SHOOTING  
01.101 Page 113  
Mar 01/02



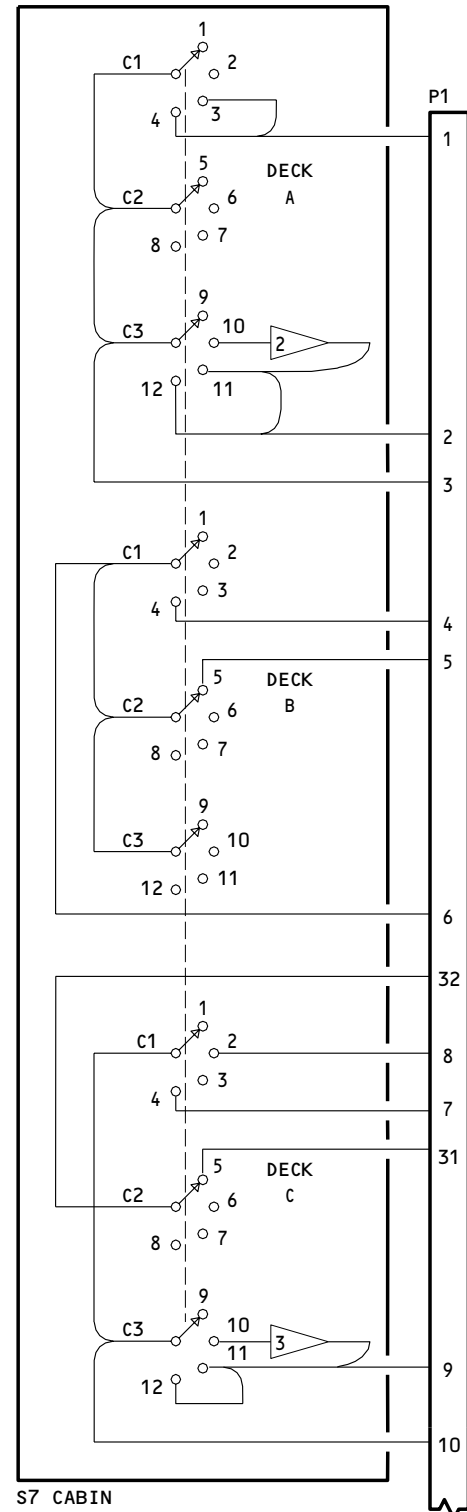
**NOTE:** FOR 417T6010-49,-53,-54,-56,  
 285T0629-68,-71,-75,-78 ALL  
 WIRES ARE BMS 13-48, TYPE I,  
 CLASS 1, SIZE AWG 20.

FOR ALL OTHERS, WIRE ARE BMS  
 13-48, TYPE I, CLASS 1, SIZE  
 AWG 22.

**1** INSTALLED ON 417T6010-34,-42,-46,  
 285T0629-58,-64

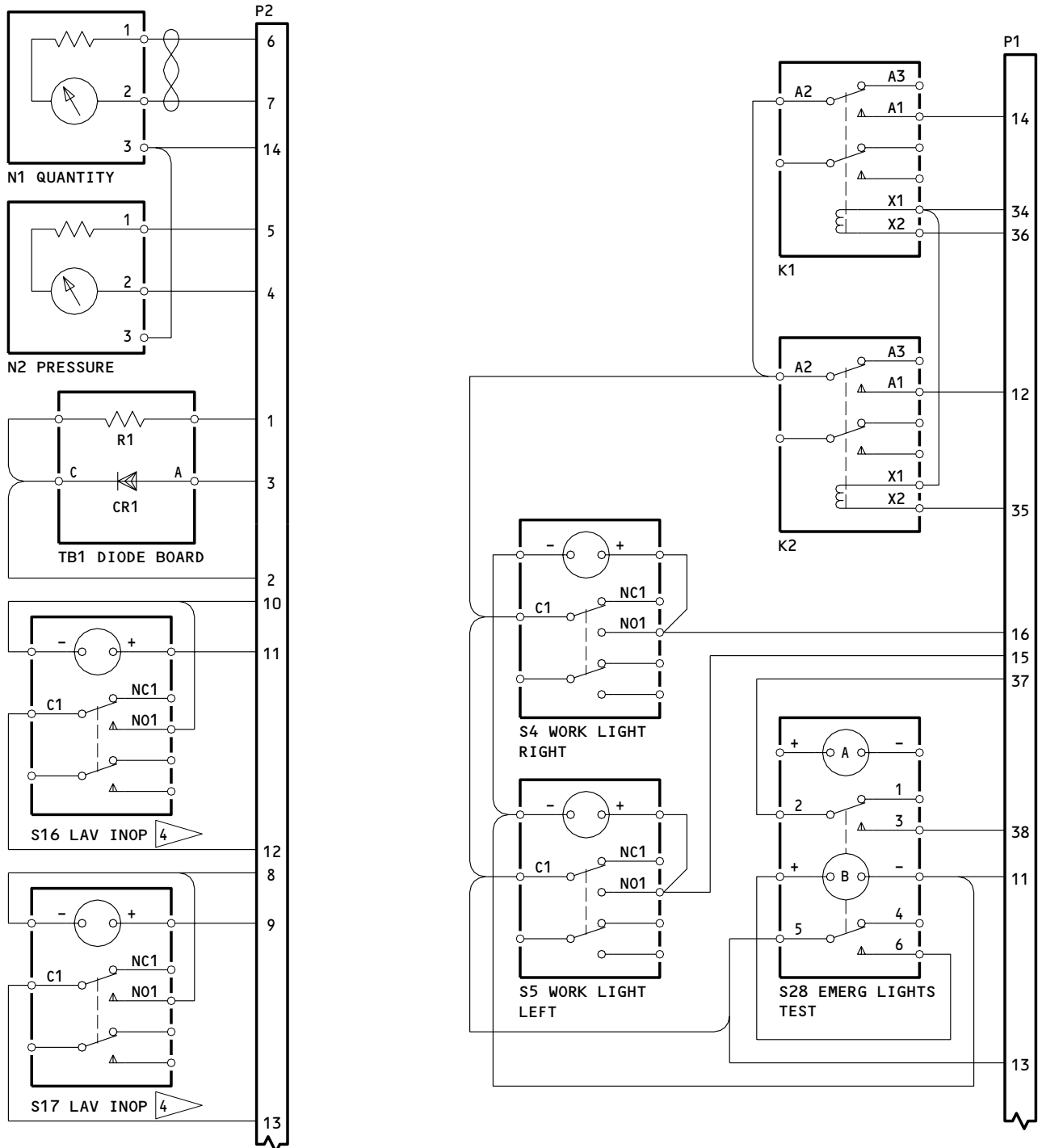
**2** ALL EXCEPT 417T6010-43,-51;  
 285T0629-65,-66

**3** 417T6010-43,-51,  
 285T0629-65,-66



Schematic Diagram  
 Figure 104 (Sheet 1)

**25-29-54**



**NOTE:** ALL WIRES ARE BMS 13-48,  
TYPE I, CLASS 1, SIZE  
AWG 22.

4 CHECK LAV ON SOME PANELS

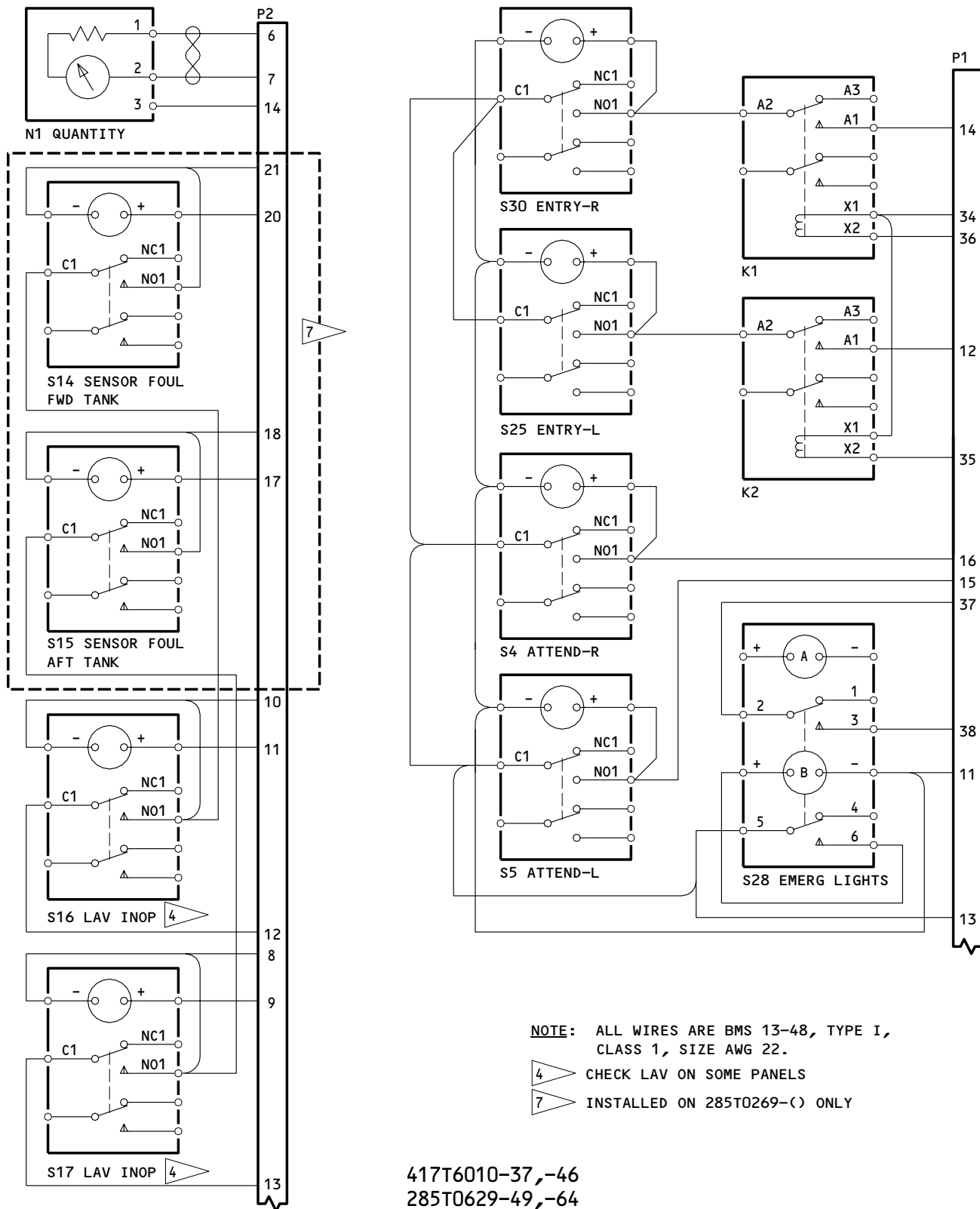
417T6010-34

Schematic Diagram  
Figure 104 (Sheet 2)

**25-29-54**

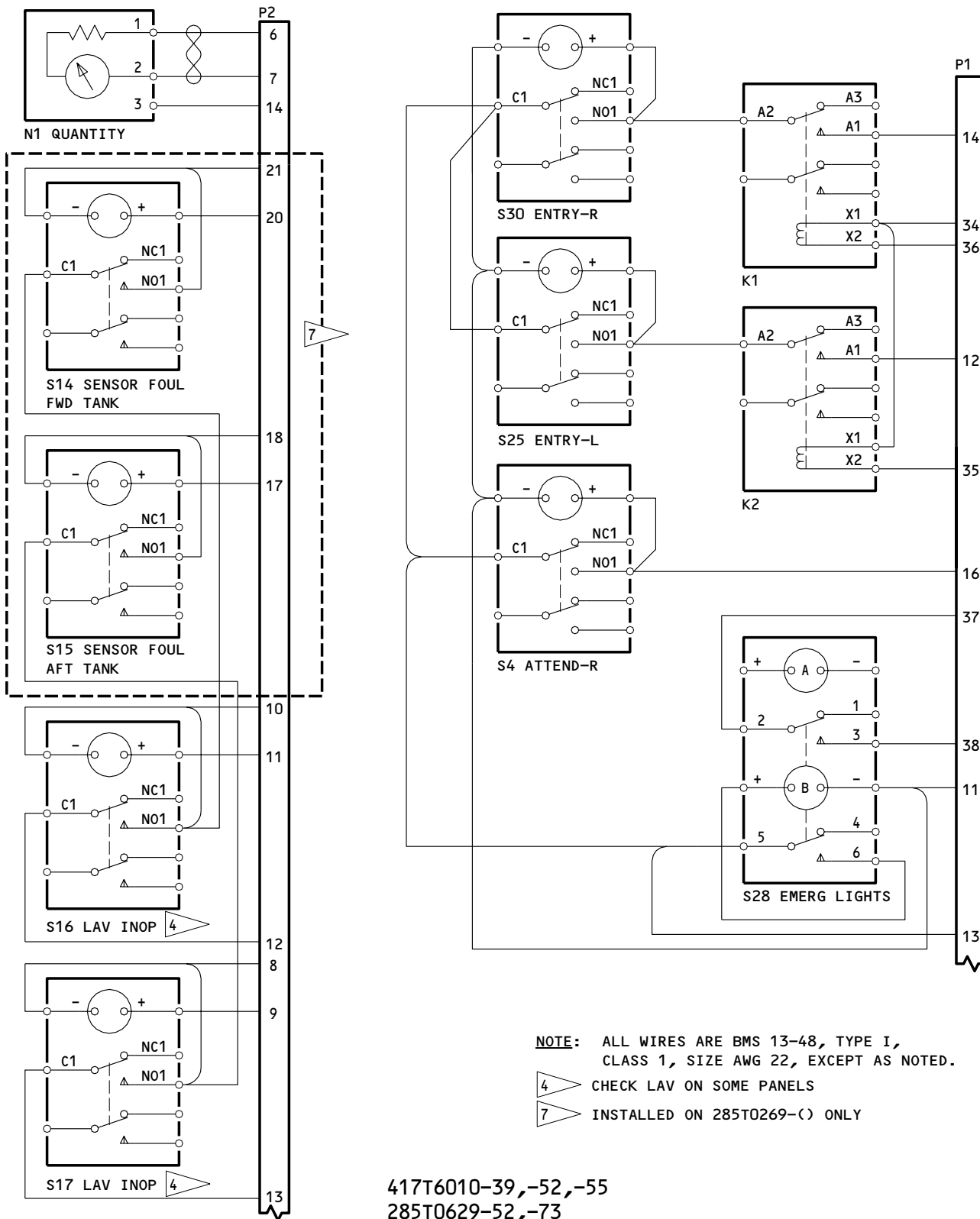
TESTING & TROUBLE SHOOTING  
01.101 Page 115  
Mar 01/02





417T6010-37,-46  
 285T0629-49,-64  
 Schematic Diagram  
 Figure 104 (Sheet 3)

**25-29-54**



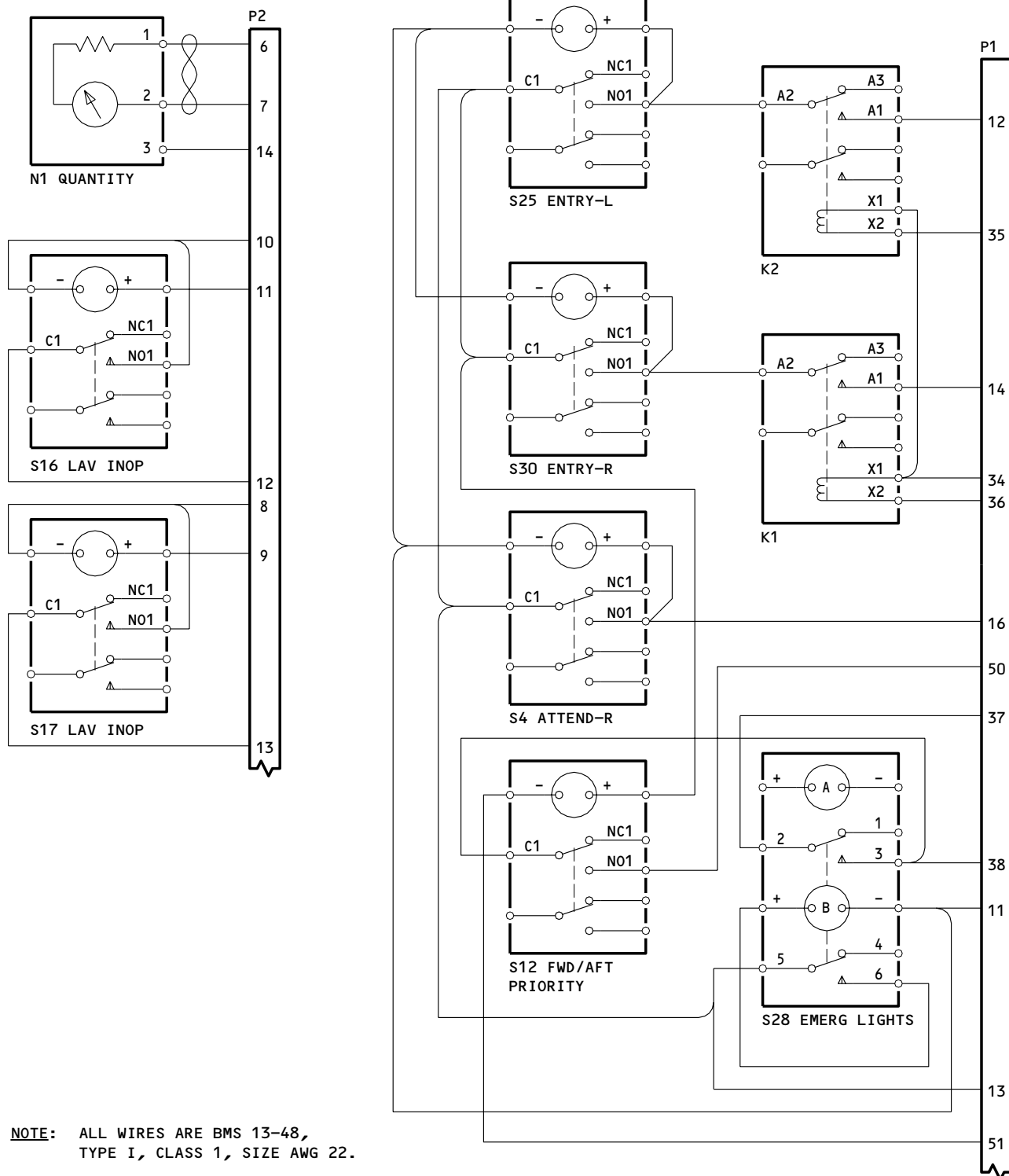
**NOTE:** ALL WIRES ARE BMS 13-48, TYPE I, CLASS 1, SIZE AWG 22, EXCEPT AS NOTED.

- 4 CHECK LAV ON SOME PANELS
- 7 INSTALLED ON 285T0269-( ) ONLY

417T6010-39,-52,-55  
 285T0629-52,-73

Schematic Diagram  
 Figure 104 (Sheet 4)

**25-29-54**

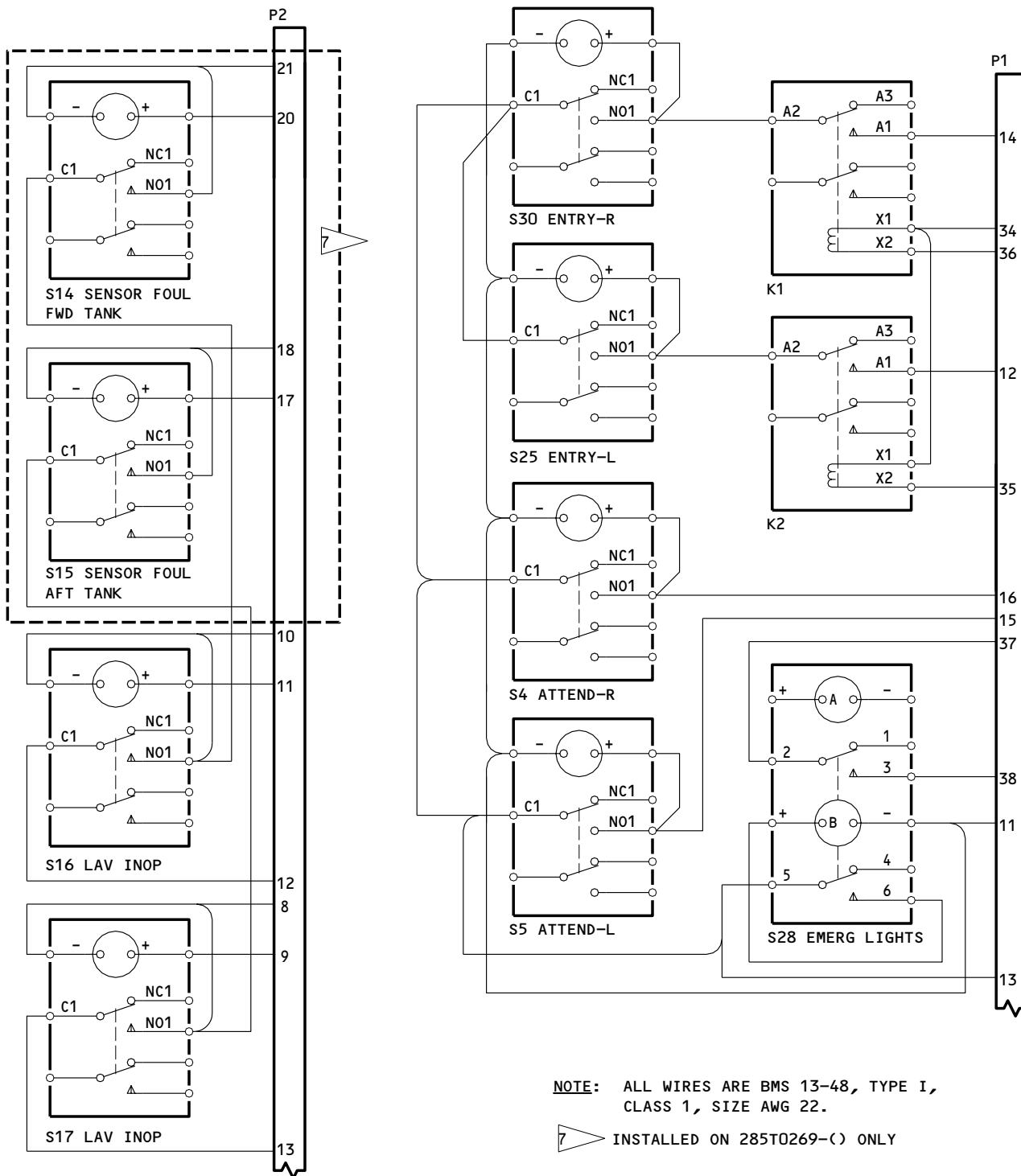


**NOTE:** ALL WIRES ARE BMS 13-48,  
 TYPE I, CLASS 1, SIZE AWG 22.

417T6010-40

Schematic Diagram  
 Figure 104 (Sheet 5)

**25-29-54**

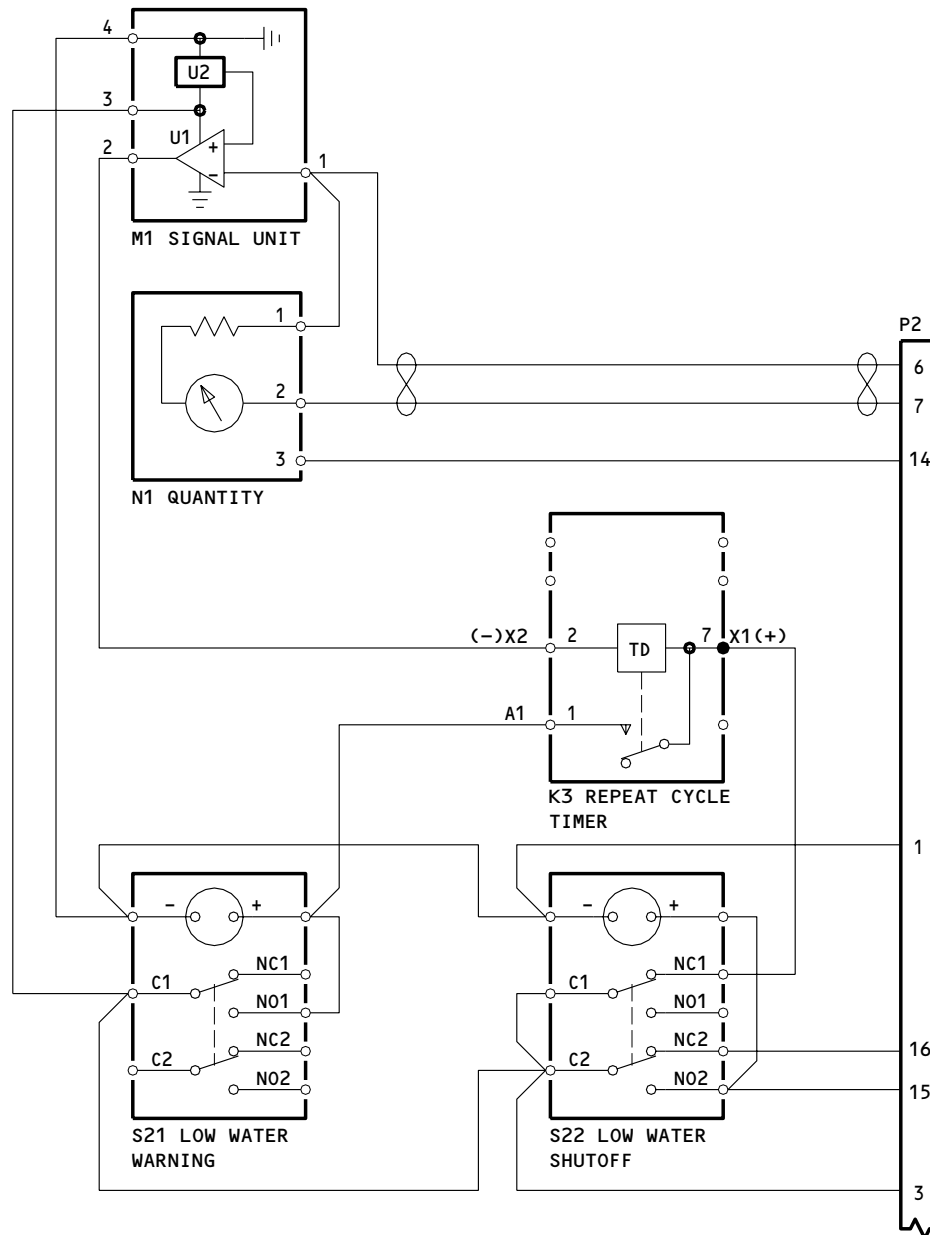


**NOTE:** ALL WIRES ARE BMS 13-48, TYPE I,  
 CLASS 1, SIZE AWG 22.

**7** INSTALLED ON 285T0269-() ONLY

417T6010-41  
 285T0629-55  
 Schematic Diagram  
 Figure 104 (Sheet 6)

**25-29-54**

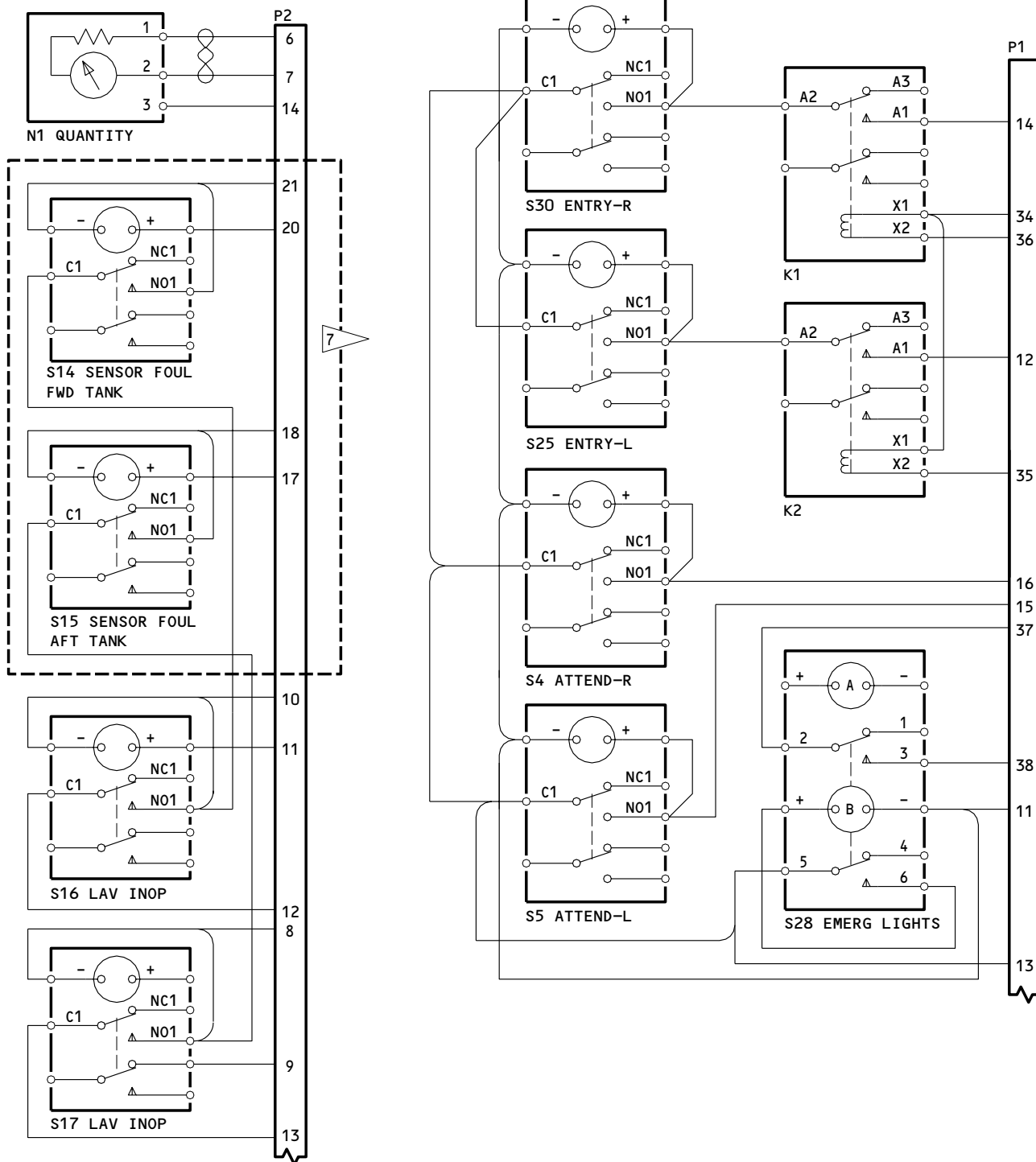


**NOTE:** ALL WIRES ARE BMS 13-48,  
 TYPE I, CLASS 1, SIZE  
 AWG 22.

417T6010-41  
 285T0629-55

Schematic Diagram  
 Figure 104 (Sheet 7)

**25-29-54**



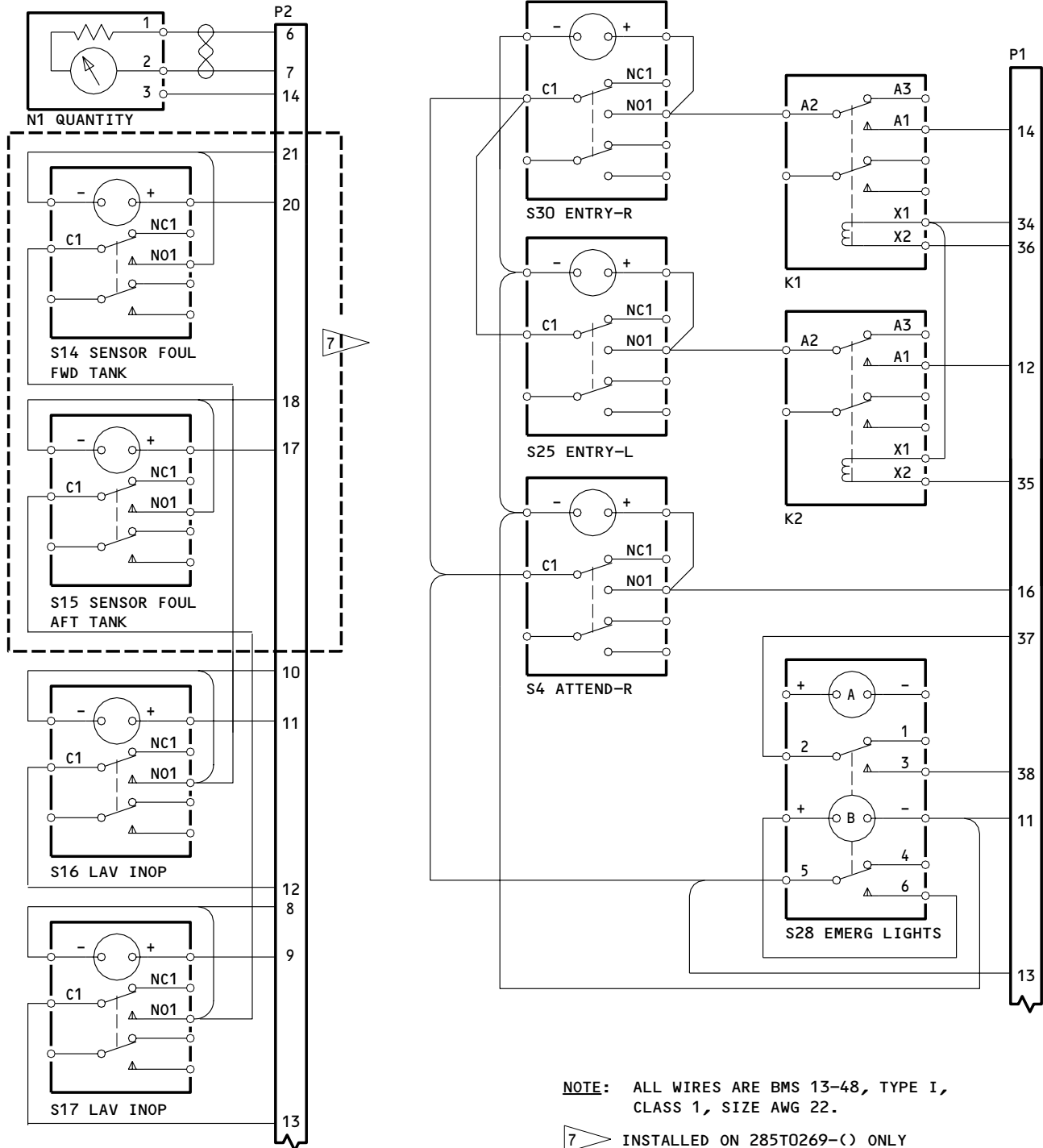
**NOTE:** ALL WIRES ARE BMS 13-48, TYPE I, CLASS 1, SIZE AWG 22.

417T6010-50  
 285T0629-72

**7** INSTALLED ON 285T0269-() ONLY

Schematic Diagram  
 Figure 104 (Sheet 8)

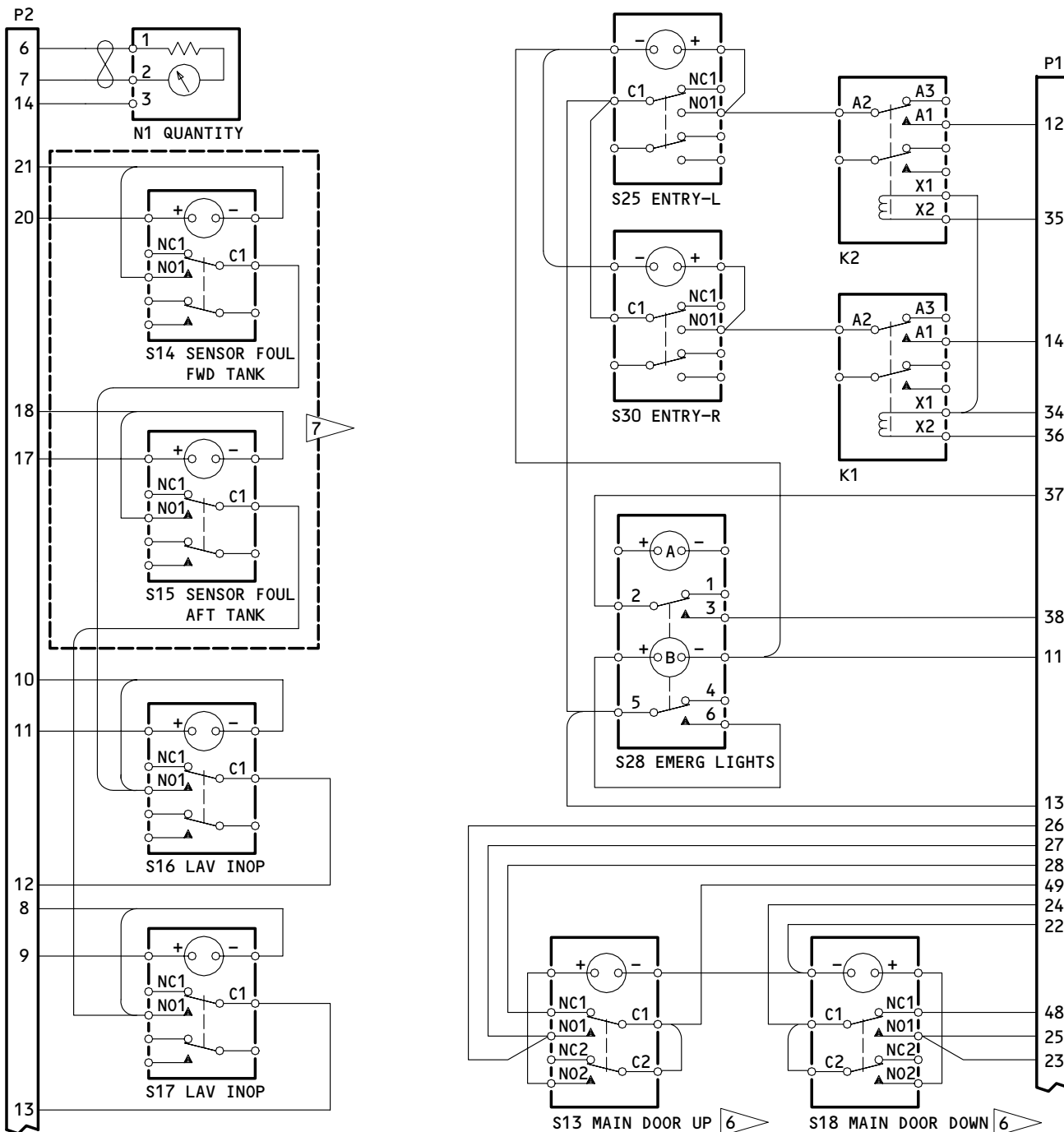
**25-29-54**



417T6010-42  
 285T0629-58

Schematic Diagram  
 Figure 104 (Sheet 9)

**25-29-54**



NOTE: ALL WIRES ARE BMS 13-48,  
TYPE I, CLASS 1, SIZE AWG 22

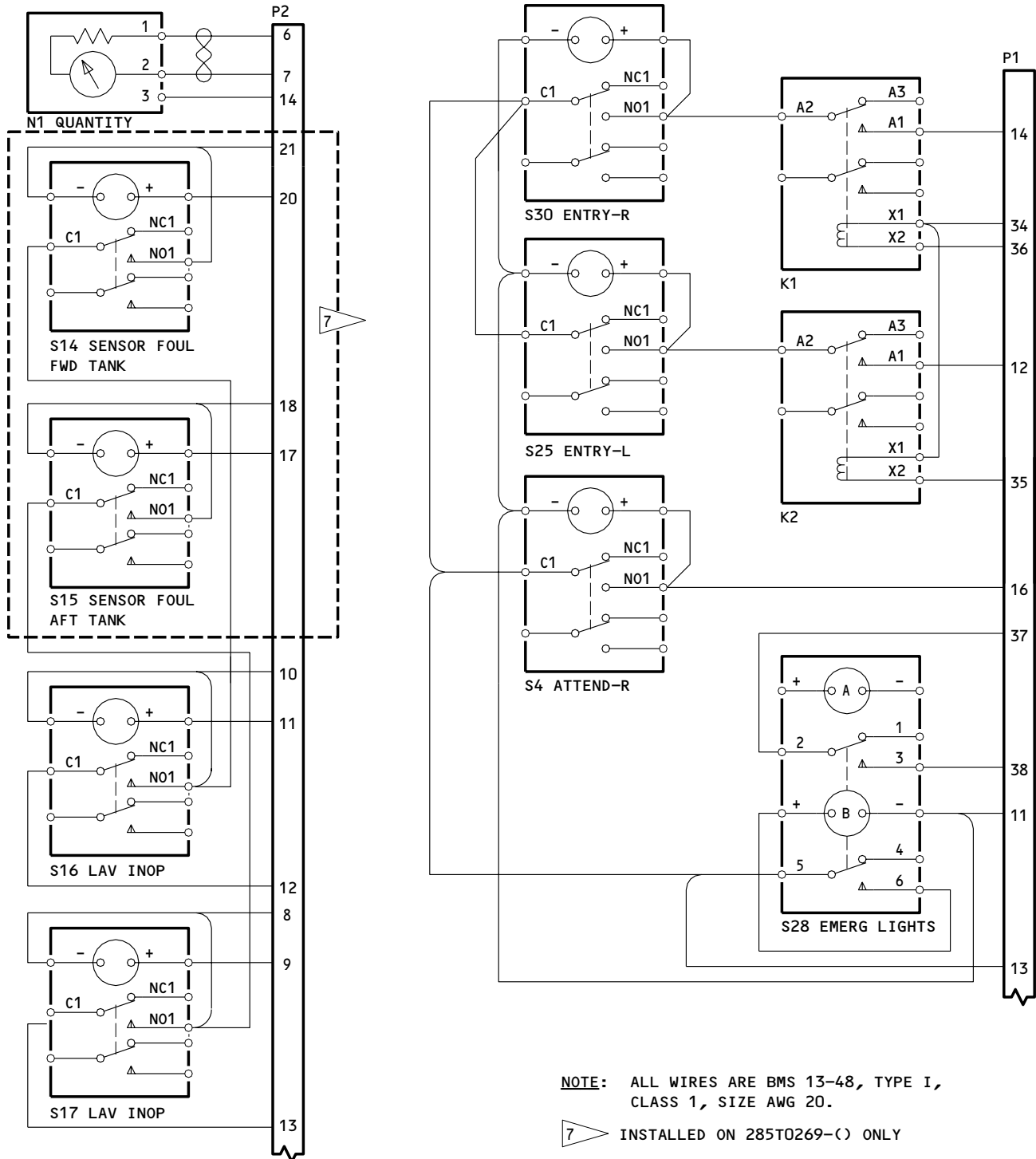
6 417T6010-43, 285T0629-65 ONLY

7 INSTALLED ON 285T0269-( ) ONLY

417T6010-43,-51  
285T0629-65,-66  
Schematic Diagram  
Figure 104 (Sheet 10)

**25-29-54**





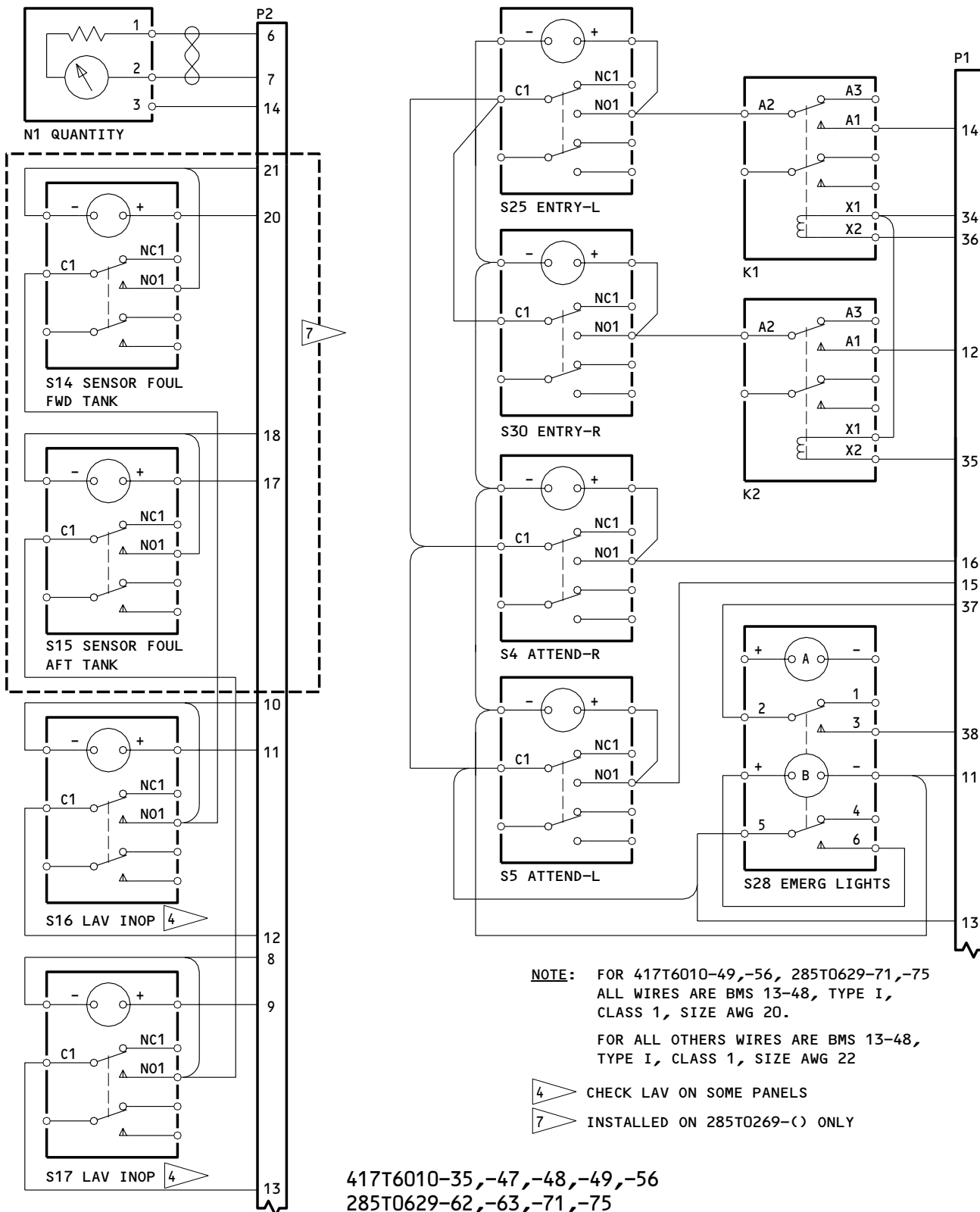
**NOTE:** ALL WIRES ARE BMS 13-48, TYPE I, CLASS 1, SIZE AWG 20.

**7** INSTALLED ON 285T0269-(-) ONLY

417T6010-53,-54  
 285T0629-68,-78

Schematic Diagram  
 Figure 104 (Sheet 11)

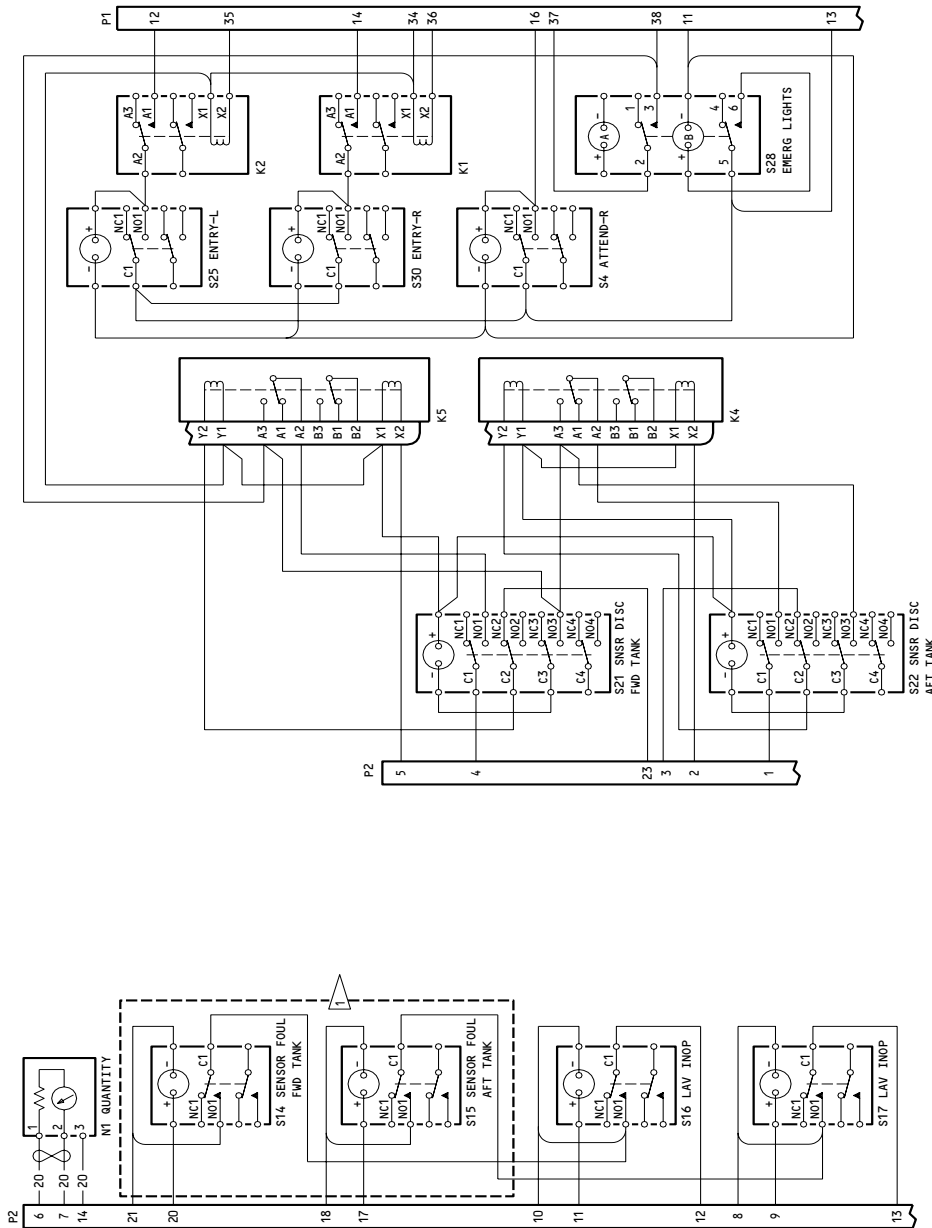
**25-29-54**



417T6010-35,-47,-48,-49,-56  
 285T0629-62,-63,-71,-75

Schematic Diagram  
 Figure 104 (Sheet 12)

**25-29-54**



417T6010-74  
 285T0629-53

Schematic Diagram  
 Figure 104 (Sheet 13)

NOTE: ALL WIRE BINS 13-68, TYPE I, CLASS 1,  
 SIZE AWG 22 UNLESS OTHERWISE NOTED.

INSTALLED ON 285T0269-( ) ONLY



019999

**25-29-54**

REPAIR

CAUTION: OBEY THE PROCEDURES IN 20-12-02, HANDLING OF ELECTROSTATIC SENSITIVE DEVICES, FOR COMPONENTS 285T0629-55 AND 417T6010-41. ELECTROSTATIC DISCHARGE CAN CAUSE DAMAGE TO THEIR COMPONENTS.

1. Materials

- A. Glyptol No. 1201 (General Electric Co., Insulating Materials Product Section, 1 Campbell Road, Schenectady, New York 12036)
- B. Xylene (also known as xylol)
- C. Solvent: Aliphatic naphtha, denatured alcohol, or isopropyl alcohol
- D. Adhesive: Scotch-Grip Insulation Adhesive 37 (3M company, 3M Center, St. Paul, Minnesota 55101)
- E. Aluminum oxide paper, 180 grit or finer
- F. Lint free wipers

2. For the repairs, use applicable procedures in 20-11-04 and standard industry practices except as follows:

- A. Bond the track (IPL Fig. 1-255; Fig. 2-285) and bracket assembly (IPL Fig. 1-400, 405; Fig. 2-390, 395) to rear of faceplate assembly with type 82 adhesive (Ref 20-50-12).
- B. Replace the wires with BMS 13-48, type I, class 1, AWG 20 except as follows:
  - (1) Wires that are between terminals of the same switch are QQ-W-343, type S tinned bus wire with insulating sleeving. Refer to MIL-I-22129 or BMS 13-48, type I, class 1.
- C. To install the rotary switch S7, apply Glyptol NO. 1201 to the threaded areas. Refer to the manufacturer's instructions.

NOTE: It can be difficult to remove switches which were installed with Glyptol No. 1201. Glyptol No. 1201 becomes soft by daubing coated threads with a swab that has xylene on it.

- D. To replace the switch S28, bond the raised bezel (IPL Fig. 1-5, 85; Fig. 2-5; Fig. 2-80) to the front of the new switch as follows:
  - (1) Clean the faying surface on the front of the switch and on the bezel as follows:
    - (a) Wipe with a solvent.

25-29-54

REPAIR-GENERAL

01.1

Page 601

Oct 01/91

- (b) Remove the gloss with an aluminum oxide paper.
- (c) Wipe with a clean wiper.
- (d) Again, wipe with a solvent.
- (e) Let the solvent evaporate.

**CAUTION:** MAKE SURE THE ADHESIVE DOES NOT ENTER THE SWITCH MECHANISM.  
ADHESIVE CAN CAUSE SWITCH MALFUNCTION OR FAILURE.

- (2) Apply the adhesive to each faying surface (refer to the manufacturer's instructions) and let it dry (not longer than 1 hour). Put the faying surfaces together and keep the contact pressure for a least 1 hour. Prevent side and/or tension forces for 24 hours.

E. Replace the raised bezel on switch S28 as follows:

- (1) Push the switch out 0.20 inch maximum.
- (2) Remove the old bezel and adhesive.
- (3) Do D.(1) and D.(2).
- (4) Push the switch back in.

F. Replace diode module (IPL Fig. 1-225) and resistor module (IPL Fig. 1-220) as follows:

- (1) Loosen the screw of the clamp nearest to the defective diode module. Remove the clamp.
- (2) Remove the defective diode and point the replacement diode so that the polarity marks (A and C) are in the same directions as on adjacent diodes.
- (3) Put the clamp back and tighten its screw.

**25-29-54**

REPAIR-GENERAL

01.1

Page 602

Oct 01/91

ILLUSTRATED PARTS LIST

1. This section lists and illustrates replaceable or repairable component parts. The Illustrated Parts Catalog contains a complete explanation of the Boeing part numbering system.

2. Indentures show parts relationships as follows:

Assembly

Detail Parts for Assembly

Subassembly

Attaching Parts for Subassembly

Detail Parts for Subassembly

Detail Installation Parts (Included only if installation parts may be returned to shop as part of assembly)

3. One use code letter (A, B, C, etc.) is assigned in the EFF CODE column for each variation of top assembly. All listed parts are used on all top assemblies except when limitations are shown by use code letter opposite individual part entries.

4. Letter suffixes (alpha-variants) are added to item numbers for optional parts, Service Bulletin modification parts, configuration differences (except left- and right-hand parts), product improvement parts, and parts added between two sequential item numbers. The alpha-variant is not shown on illustrations when appearance and location of all variants of the part is the same.

5. Service Bulletin modifications are shown by the notations PRE SB XXXX and POST SB XXXX.

A. When a new top assembly part number is assigned by Service Bulletin, the notations appear at the top assembly level only. The configuration differences at detail part level are then shown by use code letter.

B. When the top assembly part number is not changed by the Service Bulletin, the notations appear at the detail part level.

6. Parts Interchangeability

Optional  
(OPT)

The parts are optional to and interchangeable with other parts having the same item number.

Supersedes, Superseded By  
(SUPSDS, SUPSD BY)

The part supersedes and is not interchangeable with the original part.

Replaces, Replaced By  
(REPLS, REPLD BY)

The part replaces and is interchangeable with, or is an alternate to, the original part.

25-29-54

7. Use substitute parts only specified in the document, D906-10182, Electrical/  
Electronic/Electromechanical and Mechanical Parts Substitution.

**25-29-54**

ILLUSTRATED PARTS LIST  
01.1 Page 1002  
Nov 01/01

VENDORS

00779 TYCO ELECTRONICS CORP  
2800 FULLING MILL ROAD PO BOX 3608  
MIDDLETOWN, PENNSYLVANIA 17057  
FORMERLY AMP INC

05574 VIKING ELECTRONICS INC.  
5455 ENDEAVOUR CT  
MOORPARK, CALIFORNIA 93021  
FORMERLY VIKING IND DATACON DIV; VIKING SPECIAL PROD V53156;  
FORMERLY VIKING CONN SUB OF CRITON CORP; ARIZONA INTEGRATED  
ELEC VOP9C6; FORMERLY IN CHATSWORTH, CA

06090 RAYCHEM CORPORATION  
300 CONSTITUTION DRIVE  
MENLO PARK, CALIFORNIA 94025-1111  
FORMERLY IN REDWOOD CITY, CALIFORNIA  
FORMERLY RAYCLAD TUBES INC V08795

09922 FRAMATOME CONNECTORS FRANCE  
50 GRUMBACHER ROAD  
YORK, PENNSYLVANIA 17402  
FORMERLY BURNDY ENGRG CO V02198; FORMERLY BURNDY CORP  
FORMERLY NORWALK, CONNECTICUT

11815 CHERRY AEROSPACE FASTENERS DIV OF TEXTRON  
1224 EAST WARNER AVENUE PO BOX 2157  
SANTA ANA, CALIFORNIA 92707-0157  
FORMERLY IN LOS ANGELES, CALIF, FORMERLY CHERRY FASTENERS  
TOWNSEND DIV OF TEXTRON INC V71087

14726 WEARNES HOLLINGSWORTH CORP  
1601 NORTH POWERLINE ROAD  
POMPANO BEACH, FLORIDA 33060-1622  
FORMERLY MIDLAND ROSS CORP ELECTRONIC CONNECTOR DIV  
FORMERLY INTERCONNECTION PRODUCTS INC POMPANO PLANT

15084 DUPREE INC AEROSPACE KNOB CO DIV  
14395 RAMONA PO BOX 1797  
CHINO, CALIFORNIA 91708-1797  
FORMERLY AEROSPACE KNOB CO DIV OF DUPREE INC  
FORMERLY IN SOUTH EL MONTE, CALIFORNIA

15653 FAIRCHILD FASTENERS KAYNAR PRODUCTS DIV  
800 S STATE COLLEGE BLVD  
FULLERTON, CALIFORNIA 92831-3001  
FORMERLY VK6405 MICRODOT AEROSP LTD; FORMERLY KAYNAR TECH  
KAYNAR DIV

25-29-54

ILLUSTRATED PARTS LIST  
01.1 Page 1003  
Nov 01/01



VENDORS

15805 FURON A E C  
3711 SOUTH HUDSON STREET  
SEATTLE, WASHINGTON 98118-1919  
FORMERLY ASSOC IND V29762, FABRICATORS INC DIV OF  
FLUOROCARBON CO AND FLUOROCARBON CO SEATTLE DIV

26014 ELECTROFORMERS INC  
11 AUGUSTA DRIVE PO BOX 340  
DANBURY, CONNECTICUT 06810-6241  
FORMERLY HELI-COIL CORP ELECTROFORMING DIV  
FORMERLY MITE CORP GAR ELECTROFORMING DIV  
FORMERLY GAR ELECTROFORMING DIV ELECTROFORMERS INC

29372 FAIRCHILD IND INC AEROSP FSTNRS DIV SOUTHBAY OPNS/TRIDAIR  
3000 WEST LOMITA BLVD  
TORRANCE, CALIFORNIA 90505-5103  
FORMERLY CALFAX INC V11907; NEWTON INSERT CO V98004; REXNORD  
INC SPECIALTY FASTENER DIV AND DELRON CO V82831; REXNORD  
INC TRIDAIR IND

34941 HARPER ENGINEERING COMPANY  
200 SOUTH TOBIN STREET  
RENTON, WASHINGTON 98055-1307

35344 LEACH CORP RELAY DIV SEE LEACH CORP CONTROL PROD DIV V58657

52828 REPUBLIC FASTENER MFG CORP  
1300 RANCHO CONEJO BLVD  
NEWBURY PARK, CALIFORNIA 91320-1405  
FORMERLY IN SYLMAR, CALIFORNIA

56623 BABCOCK INC  
14930 E ALONDRA BLVD  
LA MIRADA, CALIFORNIA 90638-5752  
FORMERLY IN COSTS MESA, CA & IN ORANGE, CA

58657 LEACH INTERNATIONAL OF NORTH AMERICA  
6900 ORANGETHORPE AVE PO BOX 5032  
BUENA PARK, CALIFORNIA 90622-5032  
FORMERLY LEACH CORP V35344 AND V00614  
FORMERLY LEACH CORP

58982 PRECISION CONNECTOR DESIGNS INC  
CENTENNIAL PARK 2 TECHNOLOGY DRIVE  
PEABODY, MASSACHUSETTS 01960  
FORMERLY IN WINCHESTER, MASSACHUSETTS

25-29-54

ILLUSTRATED PARTS LIST  
01.1 Page 1004  
Nov 01/01

VENDORS

6E102 METAL FORM INC  
19420 84TH AVE SOUTH EAST VALLEY HWY  
KENT, WASHINGTON 98031

61349 AMETEK INC U S GAUGE DIV  
900 CLYMER AVENUE  
SELLERSVILLE, PENNSYLVANIA 18960-2625  
FORMERLY IN NEW YORK V80465  
FORMERLY WESTON INSTRUMENT IN NEWARK, NEW JERSEY V65092

65092 WESTON INSTRUMENTS SEE AMETEK INC U S GAUGE DIV V61349

71087 BOOTS ACFT NUT DIV TOWNSEND CO SEE TEXTRON INC CHERRY  
FASTENER TOWNSEND DIV V11815

72962 HARVARD INDUSTRIES INC  
3 WERNER WAY SUITE 210  
LEBANON, NEW JERSEY 08833  
FORMERLY AMERACE CORP ESNA DIV  
FORMERLY ELASTIC STOP NUT IN UNION, NJ

75345 KIRKHILL RUBBER CO  
300 EAST CYPRESS STREET  
BREA, CALIFORNIA 92621-4007  
FORMERLY L.A. STANDARD RUBBER CO V84914

78290 STRUTHERS-DUNN INC  
SOUTH WINDSOR, CONNECTICUT 06074  
OBSOLETE - OUT OF BUSINESS

80539 SPS TECHNOLOGIES INC AEROSPACE PRODUCTS DIV  
2701 SOUTH HARBOR BOULEVARD PO BOX 1259  
SANTA ANA, CALIFORNIA 92702-1259  
FORMERLY NUTT-SHEL DIV OF SPC WESTERN CO V80539  
AND STANDARD PRESSED STEEL WESTERN DIV V17279

81073 GRAYHILL, INCORPORATED  
561 HILLGROVE AVENUE PO BOX 10373  
LA GRANGE, ILLINOIS 60525-5914

84914 LOS ANGELES STD RUBBER CO SEE KIRKHILL RUBBER CO V75345

91663 ARMEL ELECTRONICS, INCORPORATED  
1601 75TH STREET  
NORTH BERGEN, NEW JERSEY 07047-4046  
FORMERLY BROOKLYN, NEW YORK

25-29-54

ILLUSTRATED PARTS LIST  
01.1 Page 1005  
Nov 01/01

VENDORS

91929 HONEYWELL INC MICRO SWITCH DIV  
11 WEST SPRING STREET  
FREEPORT, ILLINOIS 61032  
FORMERLY MICRO SWITCH A DIV OF HONEYWELL  
FORMERLY V74059 AND V40228

92215 FAIRCHILD IND INC FAIRCHILD AEROSPACE FASTENER DIV  
3010 W LOMITA BLVD  
TORRANCE, CALIFORNIA 90505-5102  
FORMERLY VOI-SHAN IN CULVER CITY, CALIF

94222 SOUTHCO INCORPORATED  
210 NORTH BRINTON LAKE ROAD  
CONCORDVILLE, PENNSYLVANIA 19331  
FORMERLY SOUTH CHESTER CORP. SOUTHCO DIVN V24248  
FORMERLY IN LESTER, PENNSYLVANIA

95272 SARGENT IND INC STILLMAN SEAL DIV  
6020 AVENDIDA ENCINAS PO BOX 2000  
CARLSBAD, CALIFORNIA 92008-4407  
FORMERLY STILLMAN RUBBER DIV ELECTRADA CORP  
FORMERLY STILLMAN SEAL DIV OF SARGENT IND IN CULVER CITY, CA

97393 SHUR-LOK CORPORATION  
2541 WHITE ROAD PO BOX 19584  
IRVINE, CALIFORNIA 92713  
FORMERLY SHUR LOK CORP VB0060  
FORMERLY IN SANTA ANA, CALIFORNIA 92714

98410 ETC-MOLEX SUB OF MOLEX INC  
4820 PARK BLVD  
PINELLAS PARK, FLORIDA 33565-7246  
FORMERLY ETC DIV OF ITT IN SOLON, OHIO

98927 ELECSPEC CORP ELECTRONIC SPECIALITY DIV  
14511 NORTHEAST 13TH AVENUE PO BOX 3501  
VANCOUVER, WASHINGTON 98668-3501  
FORMERLY ELECTRONIC SPECIALTY CO PORTLAND ELECTRONCI DIV  
FORMERLY DATRON SYSTEMS INC ELECTRONIC SPECIALITY DIV  
FORMERLY IN PORTLAND, OREGON

99699 DEUTSCH RELAYS INC  
65 DALY ROAD  
EAST NORTHPORT, L.I., NEW YORK 11731-6304  
FORMERLY DEUTSCH CO ELECTRONIC COMPONENTS DIV DEUTSCH RELAY

25-29-54

ILLUSTRATED PARTS LIST  
01.1 Page 1006  
Nov 01/01

REFERENCE DESIGNATOR INDEX (SEE SCHEMATIC DIAGRAM)		
REFERENCE DESIGNATOR	PART NUMBER	FIG-ITEM
CR1	YHLZD28	1-225
J1	BACC45FN18-31P6	3-130
J2	BACC45FN18-31P	125
K1	61GB19-1A320	1-205
K1	61GB19-1A320	3-100
K2	61GB19-1A320	1-205
K2	61GB19-1A320	3-100
K3	TD1482-7500	2-215
K4	XLD4N009	1-208
K5	XLD4N009	208
K6	61GB2319-1A320	3-95
K7	61GB2319-1A320	95
M1	285T0495-1	2-230
N1	10290N01Y00	3-165
N1	522302	1-55
N1	522302	2-65
N1	522504	65A
N1	522714	1-55A
N1	522714	2-65B
N1	522719	65D
N2	522303	1-70
N3	523557	3-167
P1	BACC45FT24B61P	1-235
P1	BACC45FT24B61P	2-255
P2	BACC45FT16B24P	1-240A
P2	BACC45FT16B24P	2-260
R1	69B40800-62	1-220
S1	2100-13	135
S1	2100-13	2-155
S3	2100-3	92
S4	2100-3	1-110
S4	2100-3	2-90
S4	2100-3	3-40
S5	2100-3	1-105
S5	2100-3	2-90
S5	2100-3	3-40
S7	44MY232320	1-75
S7	44MY232320	2-45
S7	44MY232796	3-30
S12	2100-1	1-145
S13	2100-1	2-120
S14	2100-1	1-157
S14	2100-1	2-117
S14-S17	2100-1	3-45
S15	2100-1	1-157

**25-29-54**

REFERENCE DESIGNATOR INDEX (SEE SCHEMATIC DIAGRAM)		
REFERENCE DESIGNATOR	PART NUMBER	FIG-ITEM
S15	2100-1	2-117
S16	2100-1	1-150
S16	2100-1	2-115
S17	2100-1	1-150
S17	2100-1	2-115
S18	2100-1	120
S21	2100-1	130
S21	2100-13	1-152
S21	2100-25	3-50
S22	2100-13	1-152
S22	2100-25	3-50
S22	2100-3	2-95
S25	2100-3	1-100
S25	2100-3	2-85
S25	2100-3	3-40
S28	2400-3	1-90
S28	2400-3	2-70
S28	2400-3	3-35
S30	2100-3	1-100
S30	2100-3	2-85
S30	2100-3	3-40
XK1	000300-1538	105
XK2	000300-1538	105
XK6	000300-1538	105
XK7	000300-1538	105

**25-29-54**

PART NUMBER	AIRLINE PART NO.	FIG.	ITEM	TTL REQ
AML76C10T01P		1	130	1
		1	133	2
		2	125	2
		2	160	1
AML78CB001		1	175	10
		1	177	2
		1	178	2
		1	180	1
		1	185	2
		1	190	2
		1	192	2
		2	175	8
		2	176	1
		2	177	2
		2	180	1
		2	185	2
		2	190	2
		2	195	2
AML78FB001		3	70	12
		1	170	3
		2	170A	3
		3	65	3
AMMC6		1	210	2
AMY0200T5		1	255	1
		2	285	1
AN960PD6L		1	45	4
		1	60	4
		2	55A	4
AN960PD8L		1	35	6
		2	35	6
BACC10DK		1	15	1
		2	15	1
BACC45FN18-31P		3	125	1
BACC45FN18-31P6		3	130	1
BACC45FT16B24P		1	240A	1
		2	260	1
BACC45FT24B61P		1	235	1
		2	255	1
BACC47DE6		1	222	2
BACC47DE7		1	230	2
BACC49A1		1	210	2
BACM15C1A		1	215	1
BACN10JC04		2	250	3
BACN10JC06		1	50	4
		1	65	4
BACN10JC06		2	60A	4

**25-29-54**

ILLUSTRATED PARTS LIST  
01.1 Page 1009  
Nov 01/01

PART NUMBER	AIRLINE PART NO.	FIG.	ITEM	TTL REQ
BACN10JC08		1	10	1
		2	10	1
BACP20BA1		1	20	1
		2	20	1
BACR11AM2		1	275	2
BACR12AG2C		1	415	2
		2	405	2
		3	295	2
BACR13CF2A		1	205	2
		2	205	2
		3	100	2
BACR13CF2AB		3	95	2
BACR15BA3AD		1	270	4
BACS16X1		1	200	2
		2	200	2
BACS16X1A		3	105	4
BACS21AP80R		1	410	2
		2	400	2
		3	290	2
BACS21AP80RP		1	410A	2
		2	400A	2
		3	290A	2
BACT12AC43		2	225	4
BACT12AC52		3	150	1
BACT12AR201		1	57A	3
		3	145	5
BACT12AR202		1	57	3
		1	72	3
		2	67	3
BACT44B0200U		1	255	1
		2	285	1
BACT63A51-4		1	221A	1
BAC27EEL19436		2	374	1
BAC27TPPS4103		1	380	1

# 25-29-54

 ILLUSTRATED PARTS LIST  
 01.1 Page 1010  
 Nov 01/01

PART NUMBER	AIRLINE PART NO.	FIG.	ITEM	TTL REQ
BB823-04		3	150	1
BRH10A04		2	250	3
BRH10A06		1	50	4
		1	65	4
		2	60A	4
BRH10A08		1	10	1
		2	10	1
BR246S0111		3	95	2
BR246S0112		1	205	2
		2	205	2
		3	100	2
BR64S104		1	205	2
		2	205	2
		3	100	2
BR64S105		3	95	2
E210-1631		1	205	2
		2	205	2
		3	100	2
E215-1050		1	205	2
		2	205	2
		3	100	2
FAB278		1	210	2
FCA210-70		1	205	2
		2	205	2
		3	100	2
FCA210-71		3	95	2
HRTS99917KM		2	220	1
H10-04BAC		2	250	3
H10-06BAC		1	50	4
		1	65	4
		2	60A	4

**25-29-54**



PART NUMBER	AIRLINE PART NO.	FIG.	ITEM	TTL REQ
H10-08BAC		1	10	1
		2	10	1
H1002S1-5W1		1	430	1
		2	420	1
		3	310	1
H28-1		1	210	2
JD4A017		1	205	2
		2	205	2
		3	100	2
JD4L018		3	95	2
KN0832JMXSZ		1	390C	11
		2	380C	11
		3	265C	11
MS21043-04		3	120	8
MS21043-06		3	140	8
MS35333-38		1	40	6
MS35333-38		2	40	6
MS35338-137		3	10	10
MS51830A104		1	390D	11
		2	380D	11
		3	265D	11
MS51957-14		3	110	8
MS51957-41		3	5	10
MS51957-43		3	5A	10
NAS1149CN616R		3	135	8
NAS1149CN816R		3	15	10
NAS1394-08		1	390	11
		2	380	11
		3	265	11
NAS1801-04-10		2	235	3
NAS1801-08-4		1	30	6
		2	30	6
NAS43DD0-20		2	245	3
NAS620-4		2	210	4
NAS620-4L		2	240	3
NAS620C4L		3	115	16
NS202101-40		2	250	3
NS202101-82		1	10	1
		2	10	1

**25-29-54**

 ILLUSTRATED PARTS LIST  
 01.1 Page 1012  
 Mar 01/04

PART NUMBER	AIRLINE PART NO.	FIG.	ITEM	TTL REQ
N2088		1	20	1
		2	20	1
RCR42G181JS RD409-101		1	223	1
		1	80	1
		2	50	1
RMLH9075-40W RMLH9075-62W		3	25	1
		2	250	3
		1	50	4
		1	65	4
RMLH9075-82W		2	60A	4
		1	10	1
		2	10	1
RSF116200 RT876YEL1-16 R2441SN SL6156-08		3	105	4
		1	221B	1
		3	150	1
		1	395	1
		2	385	1
		3	270	1
SZ7105		1	20	1
		2	20	1
S01064-003 S417T600-1		1	206	2
		1	55	1
		2	65	1
S417T600-2 S417T600-3		2	65A	1
		1	55A	1
		2	65B	1
S417T600-4 S417T600-5 S417T600-6 S417T601-1 TD1482-7500 TNC2C0164		2	65D	1
		3	167	1
		3	165	1
		1	70	1
		2	215	1
		1	390B	11
T6S440J T6S632J		2	380A	11
		3	265B	11
		2	250	3
		1	50	4
T6S832J		1	65	4
		2	60A	4
		1	10	1
UP103 VN303A40 VN303A62		2	10	1
		1	210	2
		2	250	3
		1	50	4
		1	65	4
		2	60A	4

**25-29-54**

ILLUSTRATED PARTS LIST  
01.1 Page 1013  
Mar 01/04

PART NUMBER	AIRLINE PART NO.	FIG.	ITEM	TTL REQ
VN303A82		1	10	1
		2	10	1
XLD4N009		1	208	2
YHLZD28		1	225	1
YHLZ2		1	215	1
YHLZ22		1	215	1
000300-1538		3	105	4
102-006-1		3	105	4
10290N01Y00		3	165	1
1185-2CN0164		1	390A	11
		2	380B	11
		3	265A	11
2-295		1	275	2
2100-1		1	145	1
		1	150	2
		1	157	2
		2	115	2
		2	117	2
		2	120	2
		2	130	1
		3	45	4
2100-100		1	115	2
		1	120	1
2100-100		1	125	1
		1	163	2
		1	167	2
		2	100	2
		2	105	2
		2	107	1
		2	110	1
		2	150	1
		2	152	2
		3	80	6

# 25-29-54

 ILLUSTRATED PARTS LIST  
 01.1 Page 1014  
 Nov 01/01

PART NUMBER	AIRLINE PART NO.	FIG.	ITEM	TTL REQ
2100-101		1	140	1
		2	165	1
2100-103		2	145	2
2100-104		1	160	1
		2	135	1
2100-105		1	165	1
		2	140	1
2100-110		1	155	1
2100-13		1	135	1
		1	152	2
		2	155	1
2100-130		2	135A	1
2100-131		2	140A	1
2100-134		2	135B	1
2100-135		2	140B	1
2100-136		2	135C	1
2100-137		2	140C	1
2100-138		2	135D	1
2100-139		2	140D	1
2100-141		2	140E	1
2100-142		1	160A	1
		2	135F	1
2100-143		1	115A	2
		2	100A	2
		3	75	2
2100-144		1	160B	1
		2	135E	1
2100-145		1	165B	1
		2	140F	1
2100-148		1	165A	1
2100-149		1	160C	1
2100-150		1	165C	1

**25-29-54**

PART NUMBER	AIRLINE PART NO.	FIG.	ITEM	TTL REQ
2100-159		2	145A	2
2100-235		3	85	1
2100-236		3	90	1
2100-25		3	50	2
2100-3		1	100	2
		1	105	1
		1	110	1
		2	85	2
		2	90	2
		2	92	1
		2	95	1
		3	40	4
2400-100		1	95	1
		2	75A	1
		3	60	1
2400-102		1	95A	1
		2	75	1
2400-3		1	90	1
		2	70	1
		3	35	1
285T0005-5		3	180	2
285T0495-1		2	230	1
285T0620-25		1	321A	1
		2	312A	1
		3	235	1
285T0620-27		1	323A	1
		2	317A	1
		3	240	1
285T0620-37		3	245	1
285T0620-39		3	250	1
285T0629-49		1	2	RF
		2	1M	RF
285T0629-52		1	2A	RF
		2	1N	RF
285T0629-63		1	2E	RF
		2	1P	RF
285T0629-64		1	2F	RF
		2	1Q	RF
285T0629-65		1	2G	RF
		2	1R	RF

# 25-29-54

 ILLUSTRATED PARTS LIST  
 01.1 Page 1016  
 Nov 01/01

PART NUMBER	AIRLINE PART NO.	FIG.	ITEM	TTL REQ
285T0629-66		1	2H	RF
		2	1S	RF
285T0629-68		1	2J	RF
		2	1T	RF
285T0629-72		1	2L	RF
		2	1U	RF
285T0629-73		1	2M	RF
		3	1A	RF
285T0630-194		3	20	1
285T0658-157		3	170	1
323912		2	225	4
324159		3	150	1
328996		3	150	1
417T6005-2		1	400	1
		2	390	1
		3	280	1
417T6005-4		1	405	1
		2	395	1
		3	285	1
417T6007-11		1	435	1
		2	425	1
		3	315	1
417T6007-4		1	430	1
		2	420	1
		3	310	1
417T6007-9		1	385	1
		2	375	1
		3	260	1
417T6009-20		1	25A	1
417T6009-23		2	25C	1
417T6009-3		2	25	1
417T6009-37		2	25A	1
417T6009-39		1	25B	1
417T6009-41		2	25B	1
417T6009-43		2	25F	1
417T6009-45		1	25C	1
417T6009-49		2	25G	1
417T6009-50		2	25H	1
417T6009-51		2	25J	1
417T6009-52		2	25K	1
417T6009-54		2	25L	1
417T6009-57		1	25G	1
417T6009-60		1	25D	1

**25-29-54**

PART NUMBER	AIRLINE PART NO.	FIG.	ITEM	TTL REQ
417T6009-62		1	25H	1
417T6009-63		1	25F	1
417T6009-64		1	25E	1
417T6009-77		1	25J	1
417T6010-34		1	1	RF
417T6010-35		1	1A	RF
		2	1	RF
417T6010-37		1	1B	RF
		2	1A	RF
417T6010-39		1	1C	RF
		2	1B	RF
417T6010-42		1	1F	RF
		2	1C	RF
417T6010-46		1	1K	RF
		2	1F	RF
417T6010-47		1	1L	RF
		2	1G	RF
417T6010-48		1	1M	RF
		2	1H	RF
417T6010-49		1	1N	RF
		2	1J	RF
417T6010-50		1	1P	RF
		2	1K	RF
417T6010-51		1	1Q	RF
		2	1L	RF
417T6010-52		1	1U	RF
417T6011-13		1	250	1
417T6011-29		1	245	1
417T6011-37		1	250C	1
		2	265A	1
417T6011-42		1	250B	1
		2	265	1
417T6012-11		1	345	1
		2	335	1
		3	200	1

# 25-29-54

 ILLUSTRATED PARTS LIST  
 01.1 Page 1018  
 Nov 01/01

PART NUMBER	AIRLINE PART NO.	FIG.	ITEM	TTL REQ
417T6012-13		1	350	1
		2	340	1
		3	205	1
417T6012-19		2	357	1
417T6012-2		1	315	3
417T6012-2		2	300	3
		3	195	3
		2	371	1
417T6012-27		1	328	1
417T6012-29		2	372	1
		1	320	10
417T6012-3		1	321	1
		1	322	2
		1	323	1
		1	325	1
		1	330	2
		1	335	2
		1	337	2
		2	305	8
		2	307	1
		2	310	1
		2	312	1
		2	315	2
		2	317	1
		2	320	2
		2	325	2
417T6012-31		3	220	12
		1	333	1
417T6012-37		1	355	1
417T6012-39		1	360	1
417T6012-4		1	340A	1
		2	330	1
		3	190	1

**25-29-54**



PART NUMBER	AIRLINE PART NO.	FIG.	ITEM	TTL REQ
417T6012-40		1	340	1
417T6012-43		1	370	1
417T6012-49		2	365	1
417T6012-5		1	365	1
		2	360	1
417T6012-51		2	370	1
417T6012-53		1	375	2
		2	355	2
417T6012-61		1	373	1
		2	355A	1
417T6012-63		1	377	1
		2	355B	1
417T6012-67		1	374	1
		3	225	1
417T6012-69		1	378	1
		3	230	1
417T6012-7		1	355A	1
417T6012-7		2	345	1
		3	210	1
417T6012-9		1	360A	1
		2	350	1
		3	215	1
417T6014-14		1	397	1
		2	387	1
		3	275	1
417T6014-3		1	420	1
		2	410	1
		3	300	1
417T6014-6		1	425	1
		2	415	1
		3	305	1
417T6017-1		1	260	2
		2	290	2
		3	175	2

# 25-29-54

 ILLUSTRATED PARTS LIST  
 01.1 Page 1020  
 Nov 01/01

PART NUMBER	AIRLINE PART NO.	FIG.	ITEM	TTL REQ
417T6017-2		1	265	2
417T6017-3		1	280	2
417T6017-4		1	283A	1
		2	295	1
417T6017-5		1	283	1
		2	295A	1
417T6017-9		3	185	1
417T6019-1		1	5	1
		1	85	1
		2	5	1
		2	80	1
		3	55	1
44MY232320		1	75	1
		2	45	1
44MY232796		3	30	1
4841		1	20	1
		2	20	1
51863-3		1	57	3
		1	72	3
		2	67	3
522302		1	55	1
		2	65	1
522303		1	70	1
522504		2	65A	1
522714		1	55A	1
		2	65B	1
522719		2	65D	1
52273-1		1	57A	3
52273-1		3	145	5
523557		3	167	1
60729-1		1	312	1
		2	297	1
		3	155A	1
61GB19-1A320		1	205	2
		2	205	2
		3	100	2
61GB2319-1A320		3	95	2
61048-1		1	312A	1
		1	313	1
		2	297A	1

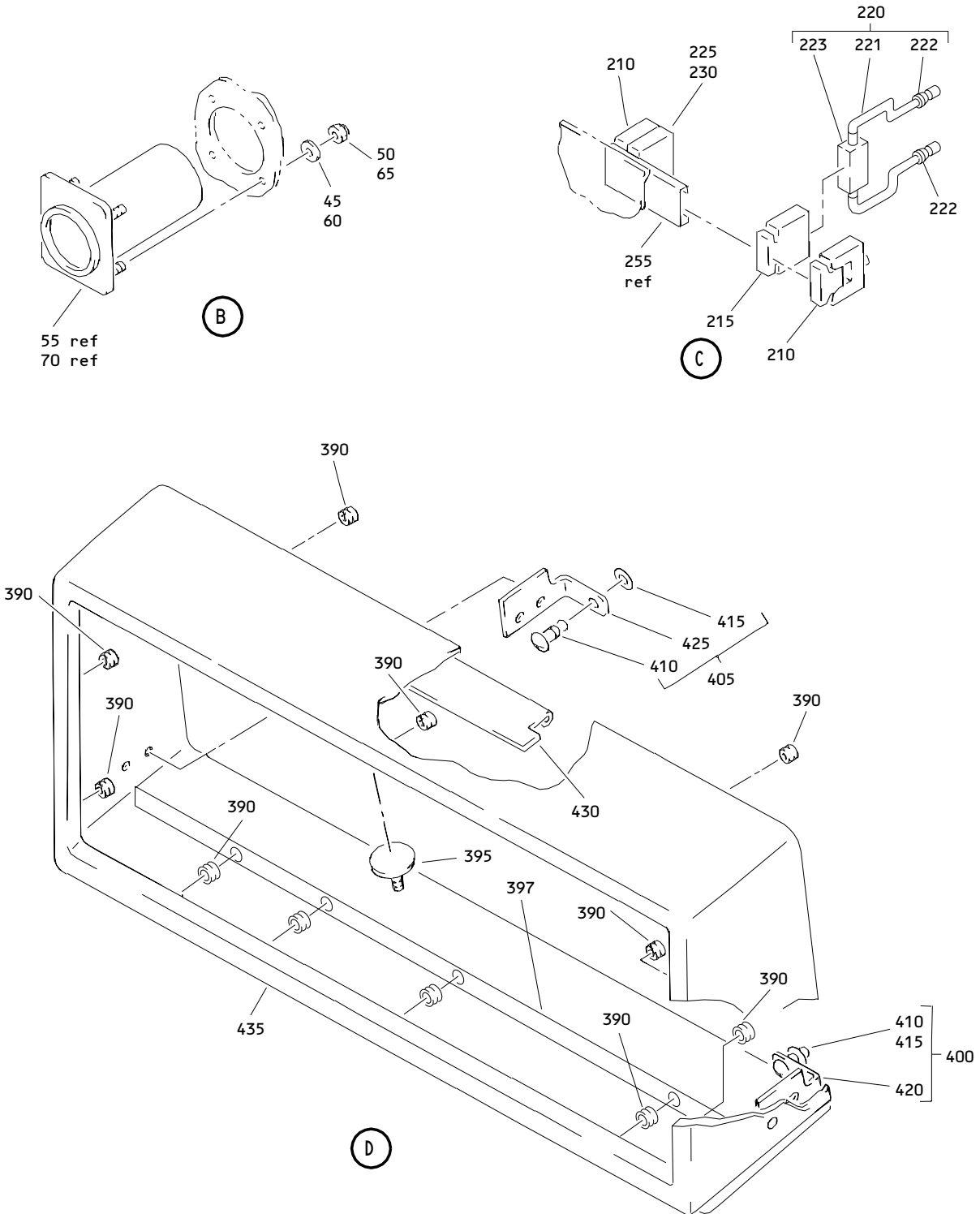
**25-29-54**

PART NUMBER	AIRLINE PART NO.	FIG.	ITEM	TTL REQ
61060-1		3	155	1
640929-1		3	160	1
69B40800-62		1	220	1
82-99-341-08		1	410A	2
		2	400A	2
		3	290A	2
82-99-342-15		1	275	2
96-40		2	250	3
96-62		1	50	4
		1	65	4
		2	60A	4
96-82		1	10	1
		2	10	1

**25-29-54**

ILLUSTRATED PARTS LIST  
 01.1 Page 1022  
 Nov 01/01

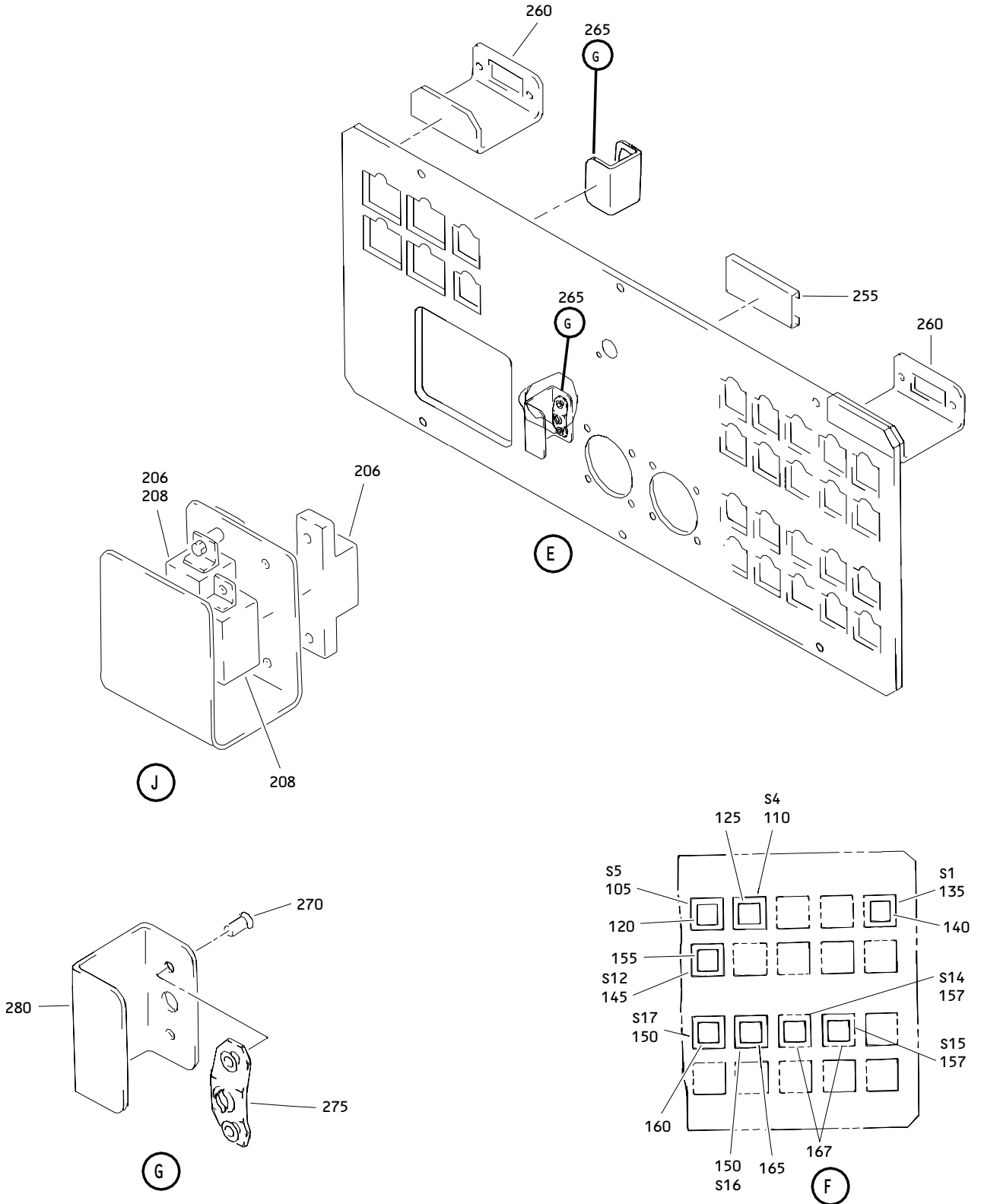




Aft Attendants Panel Assembly  
 Figure 1 (Sheet 2)

**25-29-54**

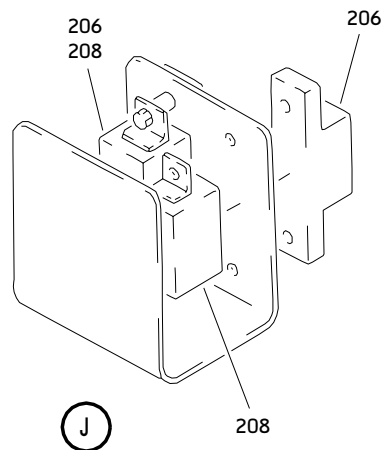
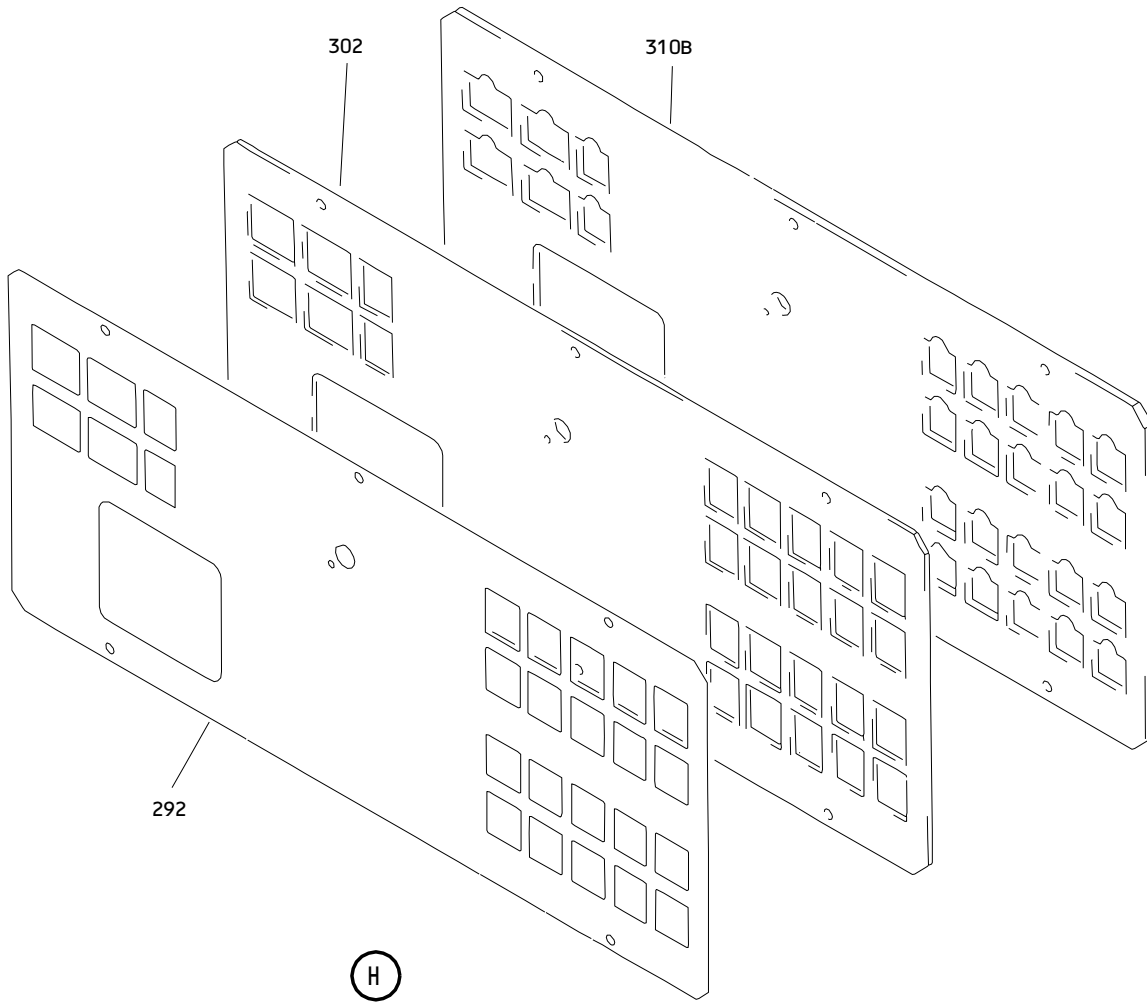
ILLUSTRATED PARTS LIST  
 01.1 Page 1024  
 Nov 01/01



Aft Attendants Panel Assembly  
 Figure 1 (Sheet 3)

**25-29-54**

ILLUSTRATED PARTS LIST  
 01.1 Page 1025  
 Nov 01/01



Aft Attendants Panel Assembly  
Figure 1 (Sheet 4)

**25-29-54**

ILLUSTRATED PARTS LIST  
01.1 Page 1026  
Nov 01/01

FIG. & ITEM	PART NO.	AIRLINE PART NUMBER	NOMENCLATURE 1234567	EFF CODE	QTY PER ASSY
01-					
-1	417T6010-34		PANEL ASSY-AFT ATTENDANTS	A	RF
-1A	417T6010-35		PANEL ASSY-AFT ATTENDANTS (FOR DETAILS SEE FIG. 2)	B	RF
-1B	417T6010-37		PANEL ASSY-AFT ATTENDANTS (FOR DETAILS SEE FIG. 2) (PRE SB 417T6010-25-02)	C	RF
-1C	417T6010-39		PANEL ASSY-AFT ATTENDANTS (PRE SB 417T6010-25-02)	D	RF
-1D	417T6010-40		PANEL ASSY-AFT ATTENDANTS	E	RF
-1E	417T6010-41		PANEL ASSY-AFT ATTENDANTS (FOR DETAILS SEE FIG. 2)	F	RF
-1F	417T6010-42		PANEL ASSY-AFT ATTENDANTS (PRE SB 417T6010-25-02)	G	RF
-1G	417T6010-43		PANEL ASSY-AFT ATTENDANTS (FOR DETAILS SEE FIG. 2) (PRE SB 417T6010-25-02)	H	RF
-1H	417T6010-44		DELETED		
-1J	417T6010-45		DELETED		
-1K	417T6010-46		PANEL ASSY-AFT ATTENDANTS (FOR DETAILS SEE FIG. 2) (PRE SB 417T6010-25-02)	L	RF
-1L	417T6010-47		PANEL ASSY-AFT ATTENDANTS (FOR DETAILS SEE FIG. 2) (PRE SB 417T6010-25-02)	M	RF
-1M	417T6010-48		PANEL ASSY-AFT ATTENDANTS (FOR DETAILS SEE FIG. 2) (PRE SB 417T6010-25-02)	K	RF
-1N	417T6010-49		PANEL ASSY-AFT ATTENDANTS (FOR DETAILS SEE FIG. 2) (PRE SB 417T6010-25-02)	N	RF
-1P	417T6010-50		PANEL ASSY-AFT ATTENDANTS (FOR DETAILS SEE FIG. 2) (PRE SB 417T6010-25-02)	P	RF
-1Q	417T6010-51		PANEL ASSY-AFT ATTENDANTS (FOR DETAILS SEE FIG. 2) (PRE SB 417T6010-25-02)	Q	RF
-1R	417T6010-53		PANEL ASSY-AFT ATTENDANTS (PRE SB 417T6010-25-02)	R	RF
-1S	417T6010-56		PANEL ASSY-AFT ATTENDANTS (PRE SB 417T6010-25-02)	S	RF
-1T	417T6010-55		PANEL ASSY-AFT ATTENDANTS (PRE SB 417T6010-25-03) (PRE SB 417T6010-25-02)	T	RF
-1U	417T6010-52		PANEL ASSY-AFT ATTENDANTS (PRE SB 417T6010-25-02)	U	RF

25-29-54

ILLUSTRATED PARTS LIST  
01.1 Page 1027  
Nov 01/01



FIG. & ITEM	PART NO.	AIRLINE PART NUMBER	NOMENCLATURE 1234567	EFF CODE	QTY PER ASSY
01- -1V	417T6010-54		PANEL ASSY-AFT ATTENDANTS (PRE SB 417T6010-25-02)	V	RF
-1W	417T6010-74		PANEL ASSY-AFT ATTENDANTS (POST SB 417T6010-25-03) (PRE SB 417T6010-25-02)	W	RF
-2	285T0629-49		PANEL ASSY-AFT ATTENDANTS (FOR DETAILS SEE FIG. 2) (POST SB 417T6010-25-02)	J	RF
-2A	285T0629-52		PANEL ASSY-AFT ATTENDANTS (POST SB 417T6010-25-02)	X	RF
-2B	285T0629-53		PANEL ASSY-AFT ATTENDANTS (POST SB 417T6010-25-02)	Y	RF
-2C	285T0629-58		PANEL ASSY-AFT ATTENDANTS (POST SB 417T6010-25-02)	Z	RF
-2D	285T0629-62		PANEL ASSY-AFT ATTENDANTS (FOR DETAILS SEE FIG. 2) (POST SB 417T6010-25-02)	AA	RF
-2E	285T0629-63		PANEL ASSY-AFT ATTENDANTS (FOR DETAILS SEE FIG. 2) (POST SB 417T6010-25-02)	AB	RF
-2F	285T0629-64		PANEL ASSY-AFT ATTENDANTS (FOR DETAILS SEE FIG. 2) (POST SB 417T6010-25-02)	AC	RF
-2G	285T0629-65		PANEL ASSY-AFT ATTENDANTS (FOR DETAILS SEE FIG. 2) (POST SB 417T6010-25-02)	AD	RF
-2H	285T0629-66		PANEL ASSY-AFT ATTENDANTS (FOR DETAILS SEE FIG. 2) (POST SB 417T6010-25-02)	AE	RF
-2J	285T0629-68		PANEL ASSY-AFT ATTENDANTS (POST SB 417T6010-25-02)	AF	RF
-2K	285T0629-71		PANEL ASSY-AFT ATTENDANTS (FOR DETAILS SEE FIG. 2) (POST SB 417T6010-25-02)	AG	RF
-2L	285T0629-72		PANEL ASSY-AFT ATTENDANTS (FOR DETAILS SEE FIG. 2) (POST SB 417T6010-25-02)	AH	RF
-2M	285T0629-73		PANEL ASSY-AFT ATTENDANTS (POST SB 417T6010-25-02)	AJ	RF
-2N	285T0629-75		PANEL ASSY-AFT ATTENDANTS (POST SB 417T6010-25-02)	AK	RF
-2P	285T0629-78		PANEL ASSY-AFT ATTENDANTS (FOR DETAILS SEE FIG. 3) (POST SB 417T6010-25-02)	AL	RF

# 25-29-54

 ILLUSTRATED PARTS LIST  
 01.1 Page 1028  
 Nov 01/01

FIG. & ITEM	PART NO.	AIRLINE PART NUMBER	NOMENCLATURE 1234567	EFF CODE	QTY PER ASSY
01-5	417T6019-1		.BEZEL-EMERGENCY LT TEST SWITCH RAISED	A,D, R-V,X ,Y,AF ,AJ,A K	1
10	H10-08BAC		.NUT- (V15653) (SPEC BACN10JC08) (OPT NS202101-82 (V80539)) (OPT RMLH9075-82W (V72962)) (OPT T6S832J (V71087)) (OPT VN303A82 (V92215)) (OPT 96-82 (V80539)) (OPT BRH10A08 (V52828))	A,D,E ,G, R-V, X-Z,A F,AJ, AK	1
15	BACC10DK		.CLAMP- (SIZE DETERMINE ON INST)	A,D,E ,G, R-V, X-Z,A F,AJ, AK	1
20	N2088		.PLUG- (V75345) (SPEC BACP20BA1) (OPT SZ7105 (V95272)) (OPT 4841 (V84914))	A,D,E ,G, R-V, X-Z,A F,AJ, AK	1

**25-29-54**

FIG. & ITEM	PART NO.	AIRLINE PART NUMBER	NOMENCLATURE 1234567	EFF CODE	QTY PER ASSY
01-					
23	417T6009-77		DELETED		
25	417T6009-21		DELETED		
25A	417T6009-20		.WIRING ASSY-FACEPLATE	D,X	1
-25B	417T6009-39		.WIRING ASSY-FACEPLATE	E	1
-25C	417T6009-45		.WIRING ASSY-FACEPLATE	G,Z	1
25D	417T6009-60		.WIRING ASSY-FACEPLATE	R,AF	1
-25E	417T6009-64		.WIRING ASSY-FACEPLATE	S,AK	1
-25F	417T6009-63		.WIRING ASSY-FACEPLATE	T,W,Y	1
-25G	417T6009-57		.WIRING ASSY-FACEPLATE	U,AJ	1
-25H	417T6009-62		.WIRING ASSY-FACEPLATE	V	1
-25J	417T6009-77		.WIRING ASSY-FACEPLATE	A	1
			ATTACHING PARTS		
30	NAS1801-08-4		.SCREW	A,D,E ,G, R-Z,A F,AJ, AK	6
35	AN960PD8L		.WASHER	A,D,E ,G, R-Z,A F,AJ, AK	6
40	MS35333-38		.WASHER	A,D,E ,G, R-Z,A F,AJ, AK	6
			-----*		
45	AN960PD6L		.WASHER	A,D,E ,G, R-T,V ,X,Z, AF,AK	4
-45A	AN960PD8L		DELETED		

# 25-29-54

 ILLUSTRATED PARTS LIST  
 01.1 Page 1030  
 Nov 01/01

FIG. & ITEM	PART NO.	AIRLINE PART NUMBER	NOMENCLATURE 1234567	EFF CODE	QTY PER ASSY
01-50	H10-06BAC		..NUT- (V15653) (SPEC BACN10JC06) (OPT RMLH9075-62W (V72962)) (OPT T6S632J (V11815)) (OPT VN303A62 (V92215)) (OPT 96-62 (V80539)) (OPT BRH10A06 (OPT BRH10A06 (V52828))	A,D,E ,G, R-T, V-Y,A F,AK	4
-50A 55	H10-08BAC 522302		DELETED ..INDICATOR-POTABLE WATER QTY GAGE (V65092) (N1) (SPEC S417T600-1)	A,D,E ,G,R, X,Z,A F	1
-55A	522714		..INDICATOR-POTABLE WATER QTY GAGE (V65092) (N1) (SPEC S417T600-3)	S,T,V ,W,Y, AK	1
-57	51863-3		..TERMINAL- (V00779) (SPEC BACT12AR202) (USED WITH ITEM 55)	A,D,E ,G,R, X,Z,A F	3
-57A	52273-1		..TERMINAL- (V00779) (SPEC BACT12AR201) (USED WITH ITEM 55A)	S,T,V ,W,Y, AK	3

**25-29-54**

FIG. & ITEM	PART NO.	AIRLINE PART NUMBER	NOMENCLATURE 1234567	EFF CODE	QTY PER ASSY
01-60	AN960PD6L		..WASHER	A	4
65	H10-06BAC		..NUT- (V15653) (SPEC BACN10JC06) (OPT RMLH9075-62W (V72962)) (OPT T6S632J (V11815)) (OPT VN303A62 (V92215)) (OPT 96-62 (V80539)) (OPT BRH10A06 (OPT BRH10A06 (V52828))	A	4
70	522303		..INDICATOR-POTABLE WATER PRESSURE GAGE (V65092) (N2) (SPEC S417T601-1)	A	1
-72	51863-3		..TERMINAL- (V00779) (SPEC BACT12AR202) (USED WITH ITEM 70)	A	3
75	44MY232320		..SWITCH-THREE DECKS ROTARY (V81073) (S7)	A,D,E ,G, R-Z,A F,AJ, AK	1
80	RD409-101		..KNOB- (V15084)	A,D,E ,G, R-Z,A F,AJ, AK	1
85	417T6019-1		..BEZEL-EMER LT TEST SW RAISED	E,G,Z	1
90	2400-3		..SWITCH-ROCKER (V91929) (S28)	A,D,E ,G, R-Z,A F,AJ, AK	1

# 25-29-54

FIG. & ITEM	PART NO.	AIRLINE PART NUMBER	NOMENCLATURE 1234567	EFF CODE	QTY PER ASSY
01-95	2400-100		..LENS-WHITE (V91929)	A,D,E ,G,T, W-Z	1
-95A	2400-102		..LENS-WHITE (V91929)	R,S,U ,V,AJ ,AK	1
100	2100-3		..SWITCH-TWO POLE ALT (V91929) (S25, S30)	D,E,G ,R-Z, AF,AJ ,AK	2
105	2100-3		..SWITCH-TWO POLE ALT (V91929) (S5)	A,R,S ,V,AF ,AK	1
110	2100-3		..SWITCH-TWO POLE ALT (V91929) (S4)	A,D,E ,G, S-U, W-Z,A J,AK	1
115	2100-100		..LENS-WHITE (V91929)	D,E,G ,S,T, W-Z,A K	2
-115A	2100-143		..LENS-WHITE (V91929)	R,S,U ,V,AF ,AJ,A K	2
120	2100-100		..LENS-WHITE (V91929)	A,R,V ,AF	1
125	2100-100		..LENS-WHITE (V91929)	A,D,E ,G,T, U,X,Z ,AJ	1

25-29-54

FIG. & ITEM	PART NO.	AIRLINE PART NUMBER	NOMENCLATURE 1234567	EFF CODE	QTY PER ASSY
01-130	AML76C10T01P		..GUARD-SWITCH (V91929)	A,G,Z	1
133	AML76C10T01P		..GUARD-SWITCH (V91929)	W,Y	2
135	2100-13		..SWITCH-FOUR POLE ALTERNATING (V91929) (S1)	A,G,Z	1
140	2100-101		..LENS-WHITE (V91929)	A,G,Z	1
145	2100-1		..SWITCH-TWO POLE MOM (V91929) (S12)	E	1
150	2100-1		..SWITCH-TWO POLE MOM (V91929) (S16, S17)	A,D,E ,G, R-V,X ,Z,AF ,AJ,A K	2
152	2100-13		..SWITCH-FOUR POLE ALT (V91929) (S21, S22)	W,Y	2
155	2100-110		..LENS-WHITE (V91929)	E	1
157	2100-1		..SWITCH-TWO POLE MOM (V91929) (S14, S15)	X-Z,A F,AJ, AK	2
160	2100-104		..LENS-WHITE (V91929)	A,D,E ,G,T, W-Z	1

# 25-29-54

 ILLUSTRATED PARTS LIST  
 01.1 Page 1034  
 Nov 01/01

FIG. & ITEM	PART NO.	AIRLINE PART NUMBER	NOMENCLATURE 1234567	EFF CODE	QTY PER ASSY
01- -160A	2100-142		..LENS-WHITE (V91929)	R,V,A F	1
-160B	2100-144		..LENS-WHITE (V91929)	S,AK	1
-160C	2100-149		..LENS-WHITE (V91929)	U,AJ	1
163	2100-100		..LENS-WHITE (V91929)	W,Y	2
165	2100-105		..LENS-WHITE (V91929)	A,D,E ,G,T, W-Z	1
-165A	2100-148		..LENS-WHITE (V91929)	R,V,A F	1
-165B	2100-145		..LENS-WHITE (V91929)	S,AK	1
-165C	2100-150		..LENS-WHITE (V91929)	U,AJ	1
167	2100-100		..LENS-WHITE (V91929)	X-Z,A F,AJ, AK	2
170	AML78FB001		..PLUG-RECTANGULAR (V91929)	A,D,E ,G,R, T-Z,A F,AJ	3
175	AML78CB001		..PLUG-SQUARE (V91929)	A,D,E ,G, R-Z,A F,AJ, AK	10
177	AML78CB001		..PLUG-SQUARE (V91929)	A,D,E ,G, R-W	2
178	AML78CB001		..PLUG-SQUARE (V91929)	A,D,E ,G, R-V,X ,Z,AF ,AJ,A K	2
180	AML78CB001		..PLUG-SQUARE (V91929)	A,D,E ,G,R, T-Z,A F,AJ	1
185	AML78CB001		..PLUG-SQUARE (V91929)	A,S,T ,W,Y, AK	2

**25-29-54**



FIG. & ITEM	PART NO.	AIRLINE PART NUMBER	NOMENCLATURE 1234567	EFF CODE	QTY PER ASSY
01-190	AML78CB001		..PLUG-SQUARE (V91929)	D,E,U ,X,AJ	2
192	AML78CB001		..PLUG-SQUARE (V91929)	R,V,A F	2
200	BACS16X1		..SOCKET	A,D,E ,G, R-Z,A F,AJ, AK	2
205	61GB19-1A320		..RELAY- (V98927) (SPEC BACR13CF2A) (OPT JD4A017 (V35344)) (OPT BR64S104 (V56623)) (OPT BR246S0112 (V56623)) (OPT FCA210-70 (V78290)) (OPT E215-1050 (V99699)) (OPT E210-1631 (V99699)) (K1, K2)	A,D,E ,G, R-Z,A F,AJ, AK	2
206	S01064-003		..SOCKET- (V35344)	W,Y	2
208	XLD4N009		..RELAY- (V35344) (K4, K5)	W,Y	2
210	AMMC6		..CLAMP ASSY- (V09922) (SPEC BACC49A1) (OPT FAB278 (V15805)) (OPT H28-1 (V34941)) (OPT UP103 (V6E102))	A	2
215	YHLZ2		..MODULE- (V09922) (SPEC BACM15C1A) (OPT YHLZ22 (V09922))	A	1

# 25-29-54

 ILLUSTRATED PARTS LIST  
 01.1 Page 1036  
 Nov 01/01

FIG. & ITEM	PART NO.	AIRLINE PART NUMBER	NOMENCLATURE 1234567	EFF CODE	QTY PER ASSY
01- 220	69B40800-62		..RESISTOR ASSY- (R1)	A	1
221	RT876YELI16		DELETED		
-221A	BACT63A51-4		...TUBING-SHRINKABLE (OPT ITEM 221B)	A	1
-221B	RT876YEL1-16		...TUBING-SHRINKABLE (V06090) (OPT ITEM 221A)	A	1
222	BACC47DE6		...PIN-CONTACT	A	2
223	RCR42G181JS		...RESISTOR-180 OHMS, 2W, +/- 5 PCT	A	1
225	YHLZD28		..MODULE-DIODE (V09922) (CR1)	A	1
230	BACC47DE7		..CONTACT	A	AR
235	BACC45FT24B61P		..CONNECTOR- (P1)	A,D,E ,G, R-Z,A F,AJ, AK	1
240	BACC45FT24B24P		DELETED		
240A	BACC45FT16B24P		..CONNECTOR- (P2)	A,D,E ,G, R-Z,A F,AJ, AK	1
245	417T6011-29		..FACEPLATE ASSY	A	1
-250	417T6011-13		..FACEPLATE ASSY	D,E,G ,R,T, V-Z,A F	1

**25-29-54**

FIG. & ITEM	PART NO.	AIRLINE PART NUMBER	NOMENCLATURE 1234567	EFF CODE	QTY PER ASSY
01-					
-250A	417T6011-9		..FACEPLATE ASSY- (OPT ITEM 250C)	S,AK	1
-250B	417T6011-42		..FACEPLATE ASSY	U,AJ	1
-250C	417T6011-37		..FACEPLATE ASSY- (OPT ITEM 250A)	S,AK	1
255	AMY0200T5		...TRACK- (V09922) (SPEC BACT44B0200U)	A,S,A K	1
258	285T1161-1		DELETED		
260	417T6017-1		...BRACKET-MTG	A,D,E ,G, R-Z,A F,AJ, AK	2
265	417T6017-2		...BRACKET ASSY-MTG	A,D,E ,G,R, T-Z,A F,AJ	2
270	BACR15BA3AD		....RIVET- (SIZE DETERMINE ON INST)	A,D,E ,G,R, T-V,X ,Z,AF ,AJ	2
275	82-99-342-15		....RECEPTACLE- (V94222) (SPEC BACR11AM2) (OPT 2-295 (V94222))	A,D,E ,G,R, T-Z,A F,AJ	1
280	417T6017-3		....BRACKET	A,D,E ,G,R, T-Z,A F,AJ	1
-283	417T6017-5		...BRACKET-MTG (OPT ITEM 283A) (USED ON ITEM 250A)	S,AK	1

# 25-29-54

 ILLUSTRATED PARTS LIST  
 01.1 Page 1038  
 Nov 01/01

FIG. & ITEM	PART NO.	AIRLINE PART NUMBER	NOMENCLATURE 1234567	EFF CODE	QTY PER ASSY
01- -283A	417T6017-4		...BRACKET-MTG (OPT ITEM 283) (USED ON ITEM 250A)	S,AK	1
285	417T6011-32		DELETED		
290	417T6011-16		DELETED		
-290A	417T6011-12		DELETED		
292	417T6011-45		DELETED		
295	417T6011-31		DELETED		
300	417T6011-15		DELETED		
-300A	417T6011-11		DELETED		
302	417T6011-44		DELETED		
305	417T6011-30		DELETED		
310	417T6011-14		DELETED		
-310A	417T6011-10		DELETED		
310B	417T6011-43		DELETED		
-312	60729-1		..TERMINAL-POKE ON (V00779) (OPT ITEM 312A)	A,D,E ,G,T, X,Z	AR
-312A	61048-1		..TERMINAL-POKE ON (V00779) (OPT ITEM 312)	A,D,E ,G,T, X,Z	AR
-313	61048-1		..TERMINAL-POKE ON (V00779)	R,S,U ,V,W, Y,AF, AJ,AK	AR
315	417T6012-2		..DECAL-SLIP IN	A,D,E ,G, R-Z,A F,AJ, AK	3
320	417T6012-3		..DECAL-SLIP IN	A,D,E ,G, R-Z,A F,AJ, AK	10

25-29-54

FIG. & ITEM	PART NO.	AIRLINE PART NUMBER	NOMENCLATURE 1234567	EFF CODE	QTY PER ASSY
01-321	417T6012-3		..DECAL-SLIP IN	A,D,E ,G, R-W	1
-321A	285T0620-25		..DECAL-SNSR FOUL AFT TANK	X-Z,A F,AJ, AK	1
322	417T6012-3		..DECAL-SLIP IN	A,D,E ,G, R-V,X ,Z,AF ,AJ,A K	2
323	417T6012-3		..DECAL-SLIP IN	A,D,E ,G, R-W	1
-323A	285T0620-27		..DECAL-SNSR FOUL FWD TANK	X-Z,A F,AJ, AK	1
325	417T6012-3		..DECAL-SLIP IN	A,D,G ,R, T-Z,A F,AJ, AK	1
328	417T6012-29		..DECAL-SLIP IN (SNSR DISC AFT TANK)	W,Y	1
330	417T6012-3		..DECAL-SLIP IN	A,S,T ,W,Y, AK	2
333	417T6012-31		..DECAL-SLIP IN (SNSR DISC FWD TANK)	W,Y	1
335	417T6012-3		..DECAL-SLIP IN	D,E,U ,X,AJ	2
337	417T6012-3		..DECAL-SLIP IN	R,V,A F	2
340	417T6012-40		..DECAL-SLIP IN (EMER LTS TEST)	A	1
-340A	417T6012-4		..DECAL-SLIP IN (EMER LTS)	D,E,G ,R-Z, AF,AJ ,AK	1

# 25-29-54

 ILLUSTRATED PARTS LIST  
 01.1 Page 1040  
 Nov 01/01

FIG. & ITEM	PART NO.	AIRLINE PART NUMBER	NOMENCLATURE 1234567	EFF CODE	QTY PER ASSY
01-345	417T6012-11		..DECAL-SLIP IN (ENTRY L)	D,E,G ,R-Z, AF,AJ ,AK	1
350	417T6012-13		..DECAL-SLIP IN (ENTRY R)	D,E,G ,R-Z, AF,AJ ,AK	1
355	417T6012-37		..DECAL-SLIP IN (WORK LT L)	A	1
-355A	417T6012-7		..DECAL-SLIP IN (ATTEND-L)	R,S,V ,AF,A K	1
360	417T6012-39		..DECAL-SLIP IN (WORK LT R)	A	1
-360A	417T6012-9		..DECAL-SLIP IN (ATTEND-R)	D,E,G ,S-U, W-Z,A J,AK	1
365	417T6012-5		..DECAL-SLIP IN (EMER LTG)	A,G,Z	1
370	417T6012-43		..DECAL-SLIP IN (FWD/AFT PRIORITY)	E	1
373	417T6012-61		..DECAL-SLIP IN (LAV SYS 1 INOP)	R,U,A F,AJ	1
374	417T6012-67		..DECAL-SLIP IN (LAV INOP AFT TANK)	A,R,T ,V,W, Y,AF	1
375	417T6012-53		..DECAL-SLIP IN (LAV INOP)	D,E,G ,T, W-Z	2
377	417T6012-63		..DECAL-SLIP IN (LAV SYS 2 INOP)	R,U,A F,AJ	1

**25-29-54**

FIG. & ITEM	PART NO.	AIRLINE PART NUMBER	NOMENCLATURE 1234567	EFF CODE	QTY PER ASSY
01-378	417T6012-69		..DECAL-SLIP IN (LAV INOP FWD TANK)	A,S,T ,V,W, Y,AK	1
380	BAC27TPPS4103		..MARKER-ALUMINUM FOIL-M883 EM. EVAC	A,D,E ,G, R-Z,A F,AJ, AK	1
385	417T6007-9		.SHROUD ASSY	A,D,E ,G, R-Z,A F,AJ, AK	1
390	NAS1394-08		..INSERT- (OPT ITEMS 390A, 390B, 390C, 390D)	A,D,E ,G, R-Z,A F,AJ, AK	11
R -390A	1185-2CN0164		..INSERT- (V26014) (OPT ITEMS 390, 390B, 390C, 390D)	A,D,E ,G, R-Z,A F,AJ, AK	11
R -390B	TNC2C0164		..INSERT- (V29372) (OPT ITEMS 390, 390A, 390C, 390D)	A,D,E ,G, R-Z,A F,AJ, AK	11
R -390C	KN0832JMXSZ		..INSERT- (V29372) (OPT ITEMS 390, 390A, 390B, 390D)	A,D,E ,G, R-Z,A F,AJ, AK	11
R -390D	MS51830A104		..INSERT- (OPT ITEMS 390, 390A, 390B, 390C)	A,D,E ,G, R-Z,A F,AJ, AK	11

**25-29-54**

ILLUSTRATED PARTS LIST  
01.1 Page 1042  
Nov 01/01

FIG. & ITEM	PART NO.	AIRLINE PART NUMBER	NOMENCLATURE 1234567	EFF CODE	QTY PER ASSY
01-395	SL6156-08		..STUD- (V97393)	A,D,E ,G, R-Z,A F,AJ, AK	1
R 397	417T6014-14		..STIFFENER	A,D,E ,G, R-Z,A F,AJ, AK	1
400	417T6005-2		..BRACKET ASSY-MTG	A,D,E ,G, R-Z,A F,AJ, AK	1
405	417T6005-4		..BRACKET ASSY-MTG	A,D,E ,G, R-Z,A F,AJ, AK	1
410	BACS21AP80R		...STUD- (OPT ITEM 410A)	A,D,E ,G, R-Z,A F,AJ, AK	1
-410A	82-99-341-08		...STUD- (V94222) (SPEC BACS21AP80RP) (OPT ITEM 410)	A,D,E ,G, R-Z,A F,AJ, AK	1
415	BACR12AG2C		...RING- (V94222) (SPEC BACR12AG2C)	A,D,E ,G, R-Z,A F,AJ, AK	1

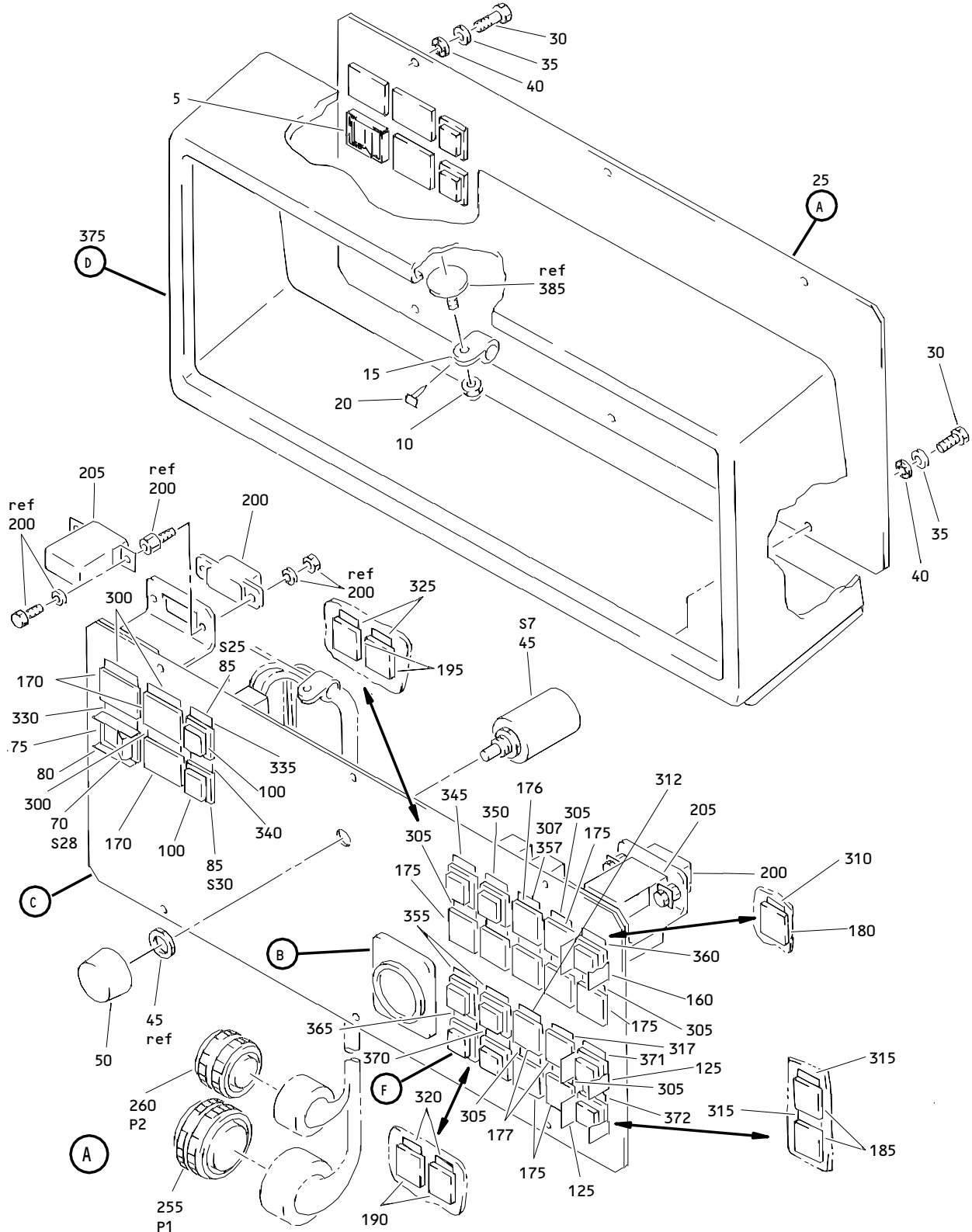
**25-29-54**



FIG. & ITEM	PART NO.	AIRLINE PART NUMBER	NOMENCLATURE 1234567	EFF CODE	QTY PER ASSY
01-420	417T6014-3		...BRACKET- (USED ON ITEM 400)	A,D,E ,G, R-Z,A F,AJ, AK	1
425	417T6014-6		...BRACKET- (USED ON ITEM 405)	A,D,E ,G, R-Z,A F,AJ, AK	1
430	417T6007-4		..HINGE-DUAL LATCHING RELEASE (ALT FROM H1002S1-5W1)	A,D,E ,G, R-Z,A F,AJ, AK	1
435	417T6007-11		..SHROUD	A,D,E ,G, R-Z,A F,AJ, AK	1

- Item Not Illustrated

**25-29-54**

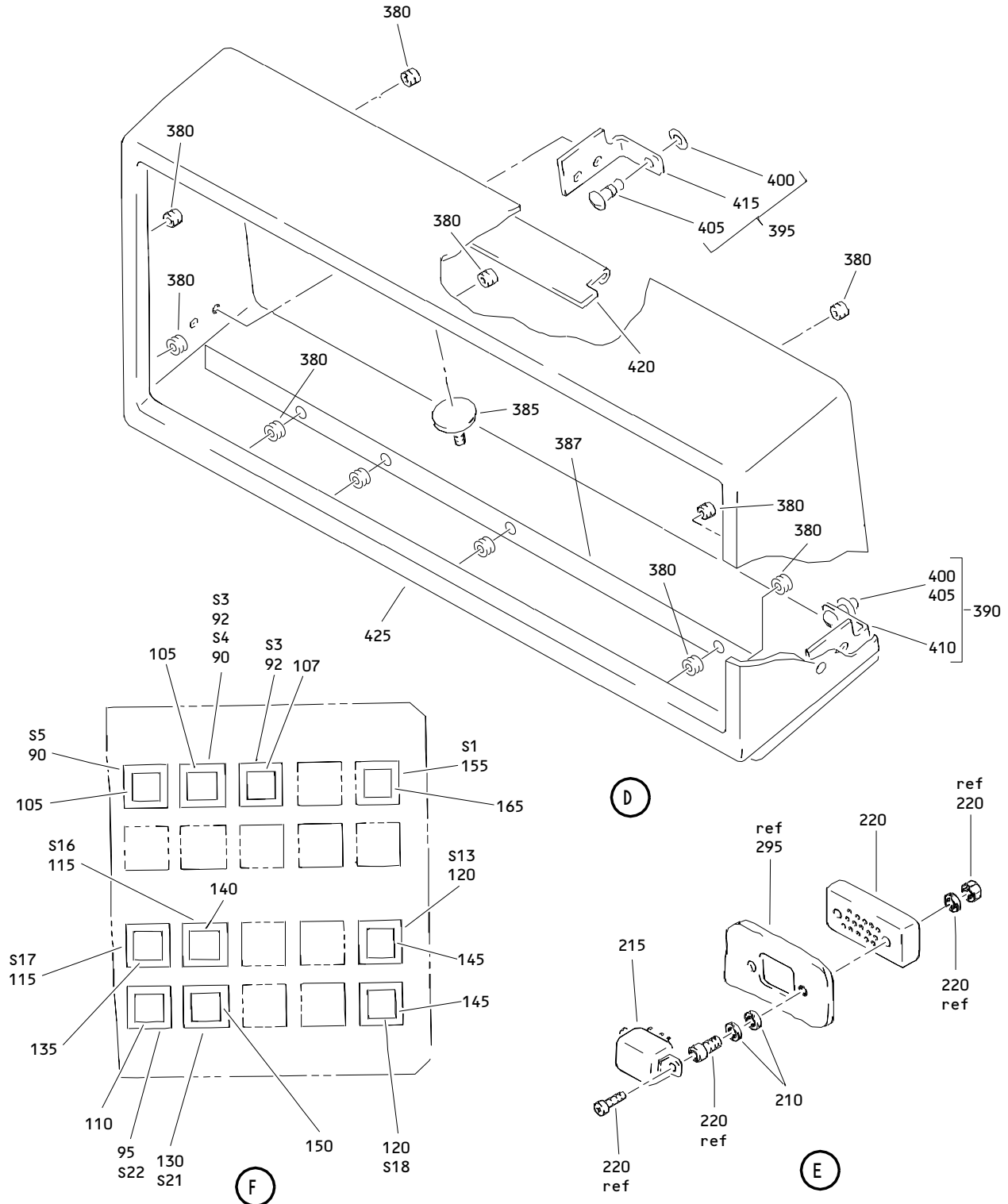


**Aft Attendants Panel Assembly  
 Figure 2 (Sheet 1)**

**25-29-54**

ILLUSTRATED PARTS LIST  
 01.1 Page 1046  
 Nov 01/01





Aft Attendants Panel Assembly  
 Figure 2 (Sheet 3)

**25-29-54**

ILLUSTRATED PARTS LIST  
 01.1 Page 1048  
 Nov 01/01

FIG. & ITEM	PART NO.	AIRLINE PART NUMBER	NOMENCLATURE 1234567	EFF CODE	QTY PER ASSY
02-					
-1	417T6010-35		PANEL ASSY-AFT ATTENDANTS	B	RF
-1A	417T6010-37		PANEL ASSY-AFT ATTENDANTS (PRE SB 417T6010-25-02)	C	RF
-1B	417T6010-41		PANEL ASSY-AFT ATTENDANTS	F	RF
-1C	417T6010-43		PANEL ASSY-AFT ATTENDANTS (PRE SB 417T6010-25-02)	H	RF
-1D	417T6010-44		DELETED		
-1E	417T6010-45		DELETED		
-1F	417T6010-46		PANEL ASSY-AFT ATTENDANTS (PRE SB 417T6010-25-02)	L	RF
-1G	417T6010-47		PANEL ASSY-AFT ATTENDANTS (PRE SB 417T6010-25-02)	M	RF
-1H	417T6010-48		PANEL ASSY-AFT ATTENDANTS (PRE SB 417T6010-25-02)	K	RF
-1J	417T6010-49		PANEL ASSY-AFT ATTENDANTS (PRE SB 417T6010-25-02)	N	RF
-1K	417T6010-50		PANEL ASSY-AFT ATTENDANTS (PRE SB 417T6010-25-02)	P	RF
-1L	417T6010-51		PANEL ASSY-AFT ATTENDANTS (PRE SB 417T6010-25-02)	Q	RF
-1M	285T0629-49		PANEL ASSY-AFT ATTENDANTS (POST SB 417T6010-25-02)	J	RF
-1N	285T0629-62		PANEL ASSY-AFT ATTENDANTS (POST SB 417T6010-25-02)	AA	RF
-1P	285T0629-63		PANEL ASSY-AFT ATTENDANTS (POST SB 417T6010-25-02)	AB	RF
-1Q	285T0629-64		PANEL ASSY-AFT ATTENDANTS (POST SB 417T6010-25-02)	AC	RF
-1R	285T0629-65		PANEL ASSY-AFT ATTENDANTS (POST SB 417T6010-25-02)	AD	RF
-1S	285T0629-66		PANEL ASSY-AFT ATTENDANTS (POST SB 417T6010-25-02)	AE	RF
-1T	285T0629-71		PANEL ASSY-AFT ATTENDANTS (POST SB 417T6010-25-02)	AG	RF
-1U	285T0629-72		PANEL ASSY-AFT ATTENDANTS (POST SB 417T6010-25-02)	AH	RF
5	417T6019-1		.BEZEL-EMER LT TEST SW RAISED	B,C,H ,J,M, N,Q,A E	1

25-29-54

FIG. & ITEM	PART NO.	AIRLINE PART NUMBER	NOMENCLATURE 1234567	EFF CODE	QTY PER ASSY
02-10	H10-08BAC		.NUT- (V15653) (SPEC BACN10JC08) (OPT NS202101-82 (V80539)) (OPT RMLH9075-82W (V72962)) (OPT T6S832J (V71087)) (OPT VN303A82 (V92215)) (OPT 96-82 (V80539)) (OPT BRH10A08 (V52828))	B,C,F ,H-N, Q,A A-AE, AG	1
15	BACC10DK		.CLAMP- (SIZE DETERMINE ON INST)	B,C,F ,H-N, Q,A A-AE, AG	1
20	N2088		.PLUG- (V75345) (SPEC BACP20BA1) (OPT SZ7105 (V95272)) (OPT 4841 (V84914))	B,C,F ,H-N, Q,A A-AE, AG	1
25	417T6009-3		.WIRING ASSY-FACEPLATE	B	1
-25A	417T6009-37		.WIRING ASSY-FACEPLATE	C,J	1
-25B	417T6009-41		.WIRING ASSY-FACEPLATE	F	1
-25C	417T6009-23		.WIRING ASSY-FACEPLATE	H,AD	1
-25D	417T6009-31		DELETED		
-25E	417T6009-34		DELETED		
-25F	417T6009-43		.WIRING ASSY-FACEPLATE	L,AC	1
-25G	417T6009-49		.WIRING ASSY-FACEPLATE	M,AB	1
-25H	417T6009-50		.WIRING ASSY-FACEPLATE	K,AA	1
-25J	417T6009-51		.WIRING ASSY-FACEPLATE	N,AG	1
-25K	417T6009-52		.WIRING ASSY-FACEPLATE	P,AH	1
-25L	417T6009-54		.WIRING ASSY-FACEPLATE	Q,AE	1
30	NAS1801-08-4		ATTACHING PARTS .SCREW	B,C,F ,H-Q, AA-AE ,AG,A H	6

# 25-29-54

 ILLUSTRATED PARTS LIST  
 01.1 Page 1050  
 Nov 01/01

FIG. & ITEM	PART NO.	AIRLINE PART NUMBER	NOMENCLATURE 1234567	EFF CODE	QTY PER ASSY
02-35	AN960PD8L		.WASHER	B,C,F ,H-Q, AA-AE ,AG,A H	6
40	MS35333-38		.WASHER	B,C,F ,H-Q, AA-AE ,AG,A H	6
45	44MY232320		-----*----- ..SWITCH-THREE DECKS ROTARY (V81073) (S7)	B,C,F ,H-Q, AA-AE ,AG,A H	1
50	RD409-101		..KNOB- (V15084)	B,C,F ,H-Q, AA-AE ,AG,A H	1
55 55A	AN960PD8L AN960PD6L		DELETED ..WASHER	B,C,F ,H-Q, AA-AE ,AG,A H	4
60 60A	H10-08BAC H10-06BAC		DELETED ..NUT- (V15653) (SPEC BACN10JC06) (OPT RMLH9075-62W (V72962)) (OPT T6S632J (V11815)) (OPT VN303A62 (V92215)) (OPT 96-62 (V80539)) (OPT BRH10A06 (OPT BRH10A06 (V52828))	B,C,F ,H-Q, AA-AE ,AG,A H	4

25-29-54

FIG. & ITEM	PART NO.	AIRLINE PART NUMBER	NOMENCLATURE 1234567	EFF CODE	QTY PER ASSY
02-65	522302		..INDICATOR-POTABLE WATER QTY GAGE (V65092) (N1) (SPEC S417T600-1)	B,C,H J,L M,Q,A B-AE	1
-65A	522504		..INDICATOR-POTABLE WATER QTY GAGE (V65092) (N1) (SPEC S417T600-2)	F	1
-65B	522714		..INDICATOR-POTABLE WATER QTY GAGE (V65092) (N1) (SPEC S417T600-3)	K,AA	1
-65C	S417T600-4		DELETED		
-65D	522719		..INDICATOR-POTABLE WATER QTY GAGE (V65092) (N1) (SPEC S417T600-4)	N,P,A G,AH	1
-67	51863-3		..TERMINAL- (V00779) (SPEC BACT12AR202) (USED WITH ITEMS 65, 65A, 65B, 65D)	B,C,F H-Q AA-AE AG,A H	3
70	2400-3		..SWITCH-ROCKER (V91929) (S28)	B,C,F H-Q AA-AE AG,A H	1
75	2400-102		..LENS-WHITE (V91929)	B,H K-Q,A A-AE AG,AH	1
-75A	2400-100		..LENS-WHITE (V91929)	C,F,J	1

# 25-29-54

 ILLUSTRATED PARTS LIST  
 01.1 Page 1052  
 Nov 01/01



FIG. & ITEM	PART NO.	AIRLINE PART NUMBER	NOMENCLATURE 1234567	EFF CODE	QTY PER ASSY
02-80	417T6019-1		..BEZEL-EMER LT TEST SW RAISED	F,K,L ,P,AA ,AC,A H	1
85	2100-3		..SWITCH-TWO POLE ALTERNATING (V91929) (S25, S30)	B,C,F ,H-Q, AA-AE ,AG,A H	2
90	2100-3		..SWITCH-TWO POLE ALTERNATING (V91929) (S4, S5)	B,C,F ,J-P, AA-AC ,AG,A H	2
92	2100-3		..SWITCH-TWO POLE ALTERNATING (V91929) (S3)	P,AH	1
95	2100-3		..SWITCH-TWO POLE ALTERNATING (V91929) (S22)	F	1
100	2100-100		..LENS-WHITE (V91929)	B,C,F ,H-M, Q,A A-AE	2
-100A	2100-143		..LENS-WHITE (V91929)	N,P,A G,AH	2
105	2100-100		..LENS-WHITE (V91929)	B,C,F ,J-M, P,A A-AC, AG,AH	2

**25-29-54**

FIG. & ITEM	PART NO.	AIRLINE PART NUMBER	NOMENCLATURE 1234567	EFF CODE	QTY PER ASSY
02-107	2100-100		..LENS-WHITE (V91929)	P,AH	1
110	2100-100		..LENS-WHITE (V91929)	F	1
115	2100-1		..SWITCH-TWO POLE MOM (V91929) (S16, S17)	B,C,F ,H-Q, AA-AE ,AG,A H	2
117	2100-1		..SWITCH-TWO POLE MOM (V91929) (S14, S15)	J,A A-AE, AG,AH	2
120	2100-1		..SWITCH-TWO POLE MOM (V91929) (S13, S18)	H,AD	2
125	AML76C10T01P		..GUARD-SWITCH (V91929)	H,AD	2
130	2100-1		..SWITCH-TWO POLE MOM (V91929) (S21)	F	1
135	2100-104		..LENS-WHITE (V91929)	B,F	1
-135A	2100-130		..LENS-WHITE (V91929)	H,Q,A D,AE	1
-135B	2100-134		..LENS-WHITE (V91929)	C,J	1
-135C	2100-136		..LENS-WHITE (V91929)	K,AA	1
-135D	2100-138		..LENS-WHITE (V91929)	L,M,A B,AC	1
-135E	2100-144		..LENS-WHITE (V91929)	N,AG	1
-135F	2100-142		..LENS-WHITE (V91929)	P,AH	1

# 25-29-54

 ILLUSTRATED PARTS LIST  
 01.1 Page 1054  
 Nov 01/01

FIG. & ITEM	PART NO.	AIRLINE PART NUMBER	NOMENCLATURE 1234567	EFF CODE	QTY PER ASSY
02-140	2100-105		..LENS-WHITE (V91929)	B,F	1
-140A	2100-131		..LENS-WHITE (V91929)	H,Q,A D,AE	1
-140B	2100-135		..LENS-WHITE (V91929)	C,J	1
-140C	2100-137		..LENS-WHITE (V91929)	K,AA	1
-140D	2100-139		..LENS-WHITE (V91929)	L,M,A B,AC	1
-140E	2100-141		..LENS-WHITE (V91929)	P,AH	1
-140F	2100-145		..LENS-WHITE (V91929)	N,AG	1
145	2100-103		..LENS-ARROW WHITE (V91929) (OPT ITEM 145A)	H	2
-145A	2100-159		..LENS-ARROW WHITE (V91929) (OPT ITEM 145)	H	2
150	2100-100		..LENS-WHITE (V91929)	F	1
152	2100-100		..LENS-WHITE (V91929)	J,A A-AE, AG,AH	2
155	2100-13		..SWITCH-FOUR POLE ALTERNATING (V91929) (S1)	C,J,L ,AC	1
160	AML76C10T01P		..GUARD-SWITCH (V91929)	C,J,L ,AC	1

25-29-54

FIG. & ITEM	PART NO.	AIRLINE PART NUMBER	NOMENCLATURE 1234567	EFF CODE	QTY PER ASSY
02-165	2100-101		..LENS-WHITE (V91929)	C,J,L ,AC	1
170	AML78BF001		DELETED		
170A	AML78FB001		..PLUG-RECTANGULAR (V91929)	B,C,F ,H-Q, AA-AE ,AG,A H	3
175	AML78CB001		..PLUG-SQUARE (V91929)	B,C,F ,H-Q, AA-AE ,AG,A H	8
176	AML78CB001		..PLUG-SQUARE (V91929)	B,C,F ,H-N, Q,A A-AE, AG	1
177	AML78CB001		..PLUG-SQUARE (V91929)	B,C,F ,H, K-Q	2
180	AML78CB001		..PLUG-SQUARE (V91929)	B,F,H ,K, M-Q,A A,AB, AD,AE AG,AH	1
185	AML78CB001		..PLUG-SQUARE (V91929)	B,C,F ,J-Q, AA-AC ,AE,A G,AH	2
190	AML78CB001		..PLUG-SQUARE (V91929)	B,C,H ,J-Q, AA-AE ,AG,A H	2
195	AML78CB001		..PLUG-SQUARE (V91929)	H,Q,A D,AE	2
200	BACS16X1		..SOCKET	B,C,F ,H-Q, AA-AE ,AG,A H	2

# 25-29-54

 ILLUSTRATED PARTS LIST  
 01.1 Page 1056  
 Nov 01/01

FIG. & ITEM	PART NO.	AIRLINE PART NUMBER	NOMENCLATURE 1234567	EFF CODE	QTY PER ASSY
02-205	61GB19-1A320		..RELAY- (V98927) (SPEC BACR13CF2A) (OPT JD4A017 (V35344)) (OPT BR64S104 (V56623)) (OPT BR246S0112 (V56623)) (OPT FCA210-70 (V78290)) (OPT E215-1050 (V99699)) (OPT E210-1631 (V99699))	B,C,F ,H-Q, AA-AE ,AG,A H	2
210	NAS620-4		..WASHER	F	4
215	TD1482-7500		..TIMER-REPEAT CYCLE (V58657) (K3)	F	1
220	HRTS99917KM		..RECEPTACLE- (V91663)	F	1
225	323912		..TERMINAL- (V00779) (SPEC BACT12AC43)	F	4
230	285T0495-1		..PRINTED CIRCUIT ASSY- POTABLE WATER SIGNAL UNIT (STATIC SENSITIVE PART) (M1) (REF CMM 38-14-51) ATTACHING PARTS	F	1
235	NAS1801-04-10		..SCREW	F	3
240	NAS620-4L		..WASHER	F	3
245	NAS43DD0-20		..SPACER	F	3

**25-29-54**

FIG. & ITEM	PART NO.	AIRLINE PART NUMBER	NOMENCLATURE 1234567	EFF CODE	QTY PER ASSY
02-250	H10-04BAC		..NUT- (V15653) (SPEC BACN10JC04) (OPT NS202101-40 (V80539)) (OPT RMLH9075-40W (V72962)) (OPT T6S440J (V11815)) (OPT VN303A40 (V92215)) (OPT 96-40 (V80539)) (OPT BRH10A04 (V52828)) -----*	F	3
-252 255	51863-3 BACC45FT24B61P		DELETED ..CONNECTOR- (P1)	B,C,F ,H-Q, AA-AE ,AG,A H	1
260	BACC45FT16B24P		..CONNECTOR- (P2)	B,C,F ,H-Q, AA-AE ,AG,A H	1
265	417T6011-9		..FACEPLATE ASSY	B,C,F ,J-P, AA-AC ,AG,A H	1
-265A	417T6011-37		..FACEPLATE ASSY	H,Q,A D,AE	1

**25-29-54**

ILLUSTRATED PARTS LIST  
01.1 Page 1058  
Nov 01/01

FIG. & ITEM	PART NO.	AIRLINE PART NUMBER	NOMENCLATURE 1234567	EFF CODE	QTY PER ASSY
02-					
270	417T6011-10		DELETED		
275	417T6011-11		DELETED		
280	417T6011-12		DELETED		
285	AMY0200T5		...TRACK- (V09922) (SPEC BACT44B0200U)	B,C,F ,H, J-Q,A A-AE, AG,AH	1
290	417T6017-1		...BRACKET-MTG	B,C,F ,H, J-Q,A A-AE, AG,AH	2
295	417T6017-4		...BRACKET-MTG (OPT ITEM 295A)	B,C,F ,J-P, AA-AC ,AG,A H	1
295A	417T6017-5		...BRACKET-MTG (OPT ITEM 295A)	B,C,F ,J-P, AA-AC ,AG,A H	1
-297	60729-1		..TERMINAL-POKE ON (V00779) (OPT ITEM 297A)	B,C,F ,H-Q, AA-AE ,AG,A H	AR
-297A	61048-1		..TERMINAL-POKE ON (V00779) (OPT ITEM 297)	B,C,F ,H-Q, AA-AE ,AG,A H	AR

**25-29-54**

FIG. & ITEM	PART NO.	AIRLINE PART NUMBER	NOMENCLATURE 1234567	EFF CODE	QTY PER ASSY
02-300	417T6012-2		..DECAL-SLIP IN	B,C,F ,H-N, Q,A A-AE, AG	3
305	417T6012-3		..DECAL-SLIP IN	B,C,F ,H-Q, AA-AE ,AG,A H	8
307	417T6012-3		..DECAL-SLIP IN	B,C,F ,H-N, Q,A A-AE, AG	1
310	417T6012-3		..DECAL-SLIP IN	B,C,F ,H-K, M,N,Q ,AA,A B,AD AE,AG	1
312	417T6012-3		..DECAL-SLIP IN	B,C,F ,H, K-Q	1
312A	285T0620-25		..DECAL-SNSR FOUL AFT TANK	J,A A-AE, AG,AH	1
315	417T6012-3		..DECAL-SLIP IN	B,C,F ,J-N, Q,A A-AC, AE,AG	2
317	417T6012-3		..DECAL-SLIP IN	B,C,F ,H, K-Q	1
317A	285T0620-27		..DECAL-SNSR FOUL FWD TANK	J,A A-AE, AG,AH	1
320	417T6012-3		..DECAL-SLIP IN	B,C, H-N,Q ,AA-A E,AG	2
325	417T6012-3		..DECAL-SLIP IN	H,Q,A D,AE	2

# 25-29-54

 ILLUSTRATED PARTS LIST  
 01.1 Page 1060  
 Nov 01/01



FIG. & ITEM	PART NO.	AIRLINE PART NUMBER	NOMENCLATURE 1234567	EFF CODE	QTY PER ASSY
02-330	417T6012-4		..DECAL-SLIP IN (EMER LTS)	B,C,F ,H-Q, AA-AE ,AG,A H	1
335	417T6012-11		..DECAL-SLIP IN (ENTRY-L)	B,C,F ,H-Q, AA-AE ,AG,A H	1
340	417T6012-13		..DECAL-SLIP IN (ENTRY-R)	B,C,F ,H-Q, AA-AE ,AG,A H	1
345	417T6012-7		..DECAL-SLIP IN (ATTND-L)	B,C,F ,J-P, AA-AC ,AG,A H	1
350	417T6012-9		..DECAL-SLIP IN (ATTND-R)	B,C,F ,J-P, AA-AC ,AG,A H	1
355	417T6012-53		..DECAL-SLIP IN (LAV INOP)	B,C,F ,H-J, Q,AD, AE	2

**25-29-54**

FIG. & ITEM	PART NO.	AIRLINE PART NUMBER	NOMENCLATURE 1234567	EFF CODE	QTY PER ASSY
02- -355A	417T6012-61		..DECAL-SLIP IN (LAV SYS 1 INOP)	K-P,A A-AC, AG,AH	1
-355B	417T6012-63		..DECAL-SLIP IN (LAV SYS 2 INOP)	K-P,A A-AC, AG,AH	1
357	417T6012-19		..DECAL-SLIP IN (ATTEND C)	P,AH	1
360	417T6012-5		..DECAL-SLIP IN (EMER LTG)	C,J,L AC	1
365	417T6012-49		..DECAL-SLIP IN (LOW WATER SHUTOFF)	F	1
370	417T6012-51		..DECAL-SLIP IN (LOW WATER WARNING)	F	1
371	417T6012-27		..DECAL-SLIP IN (MAIN DOOR UP)	H,AD	1
372	417T6012-29		..DECAL-SLIP IN (MAIN DOOR DOWN)	H,AD	1
374	BAC27EEL19436		..MARKER-ALUMINUM FOIL (ESDS)	F	1
375	417T6007-9		.SHROUD ASSY	B,C,F H-Q, AA-AE AG,A H	1
380	NAS1394-08		..INSERT- (OPT ITEMS 380A, 380B, 380C, 380D)	B,C,F H-Q, AA-AE AG,A H	11
R -380A	TNC2C0164		..INSERT- (V29372) (OPT ITEMS 380, 380B, 380C, 380D)	B,C,F H-Q, AA-AE AG,A H	11
R -380B	1185-2CN0164		..INSERT- (V26014) (OPT ITEMS 380, 380A, 380C, 380D)	B,C,F H-Q, AA-AE AG,A H	11
R -380C	KN0832JMXSZ		..INSERT- (V29372) (OPT ITEMS 380, 380A, 380B, 380D)	B,C,F H-Q, AA-AE AG,A H	11

# 25-29-54

 ILLUSTRATED PARTS LIST  
 01.1 Page 1062  
 Nov 01/01

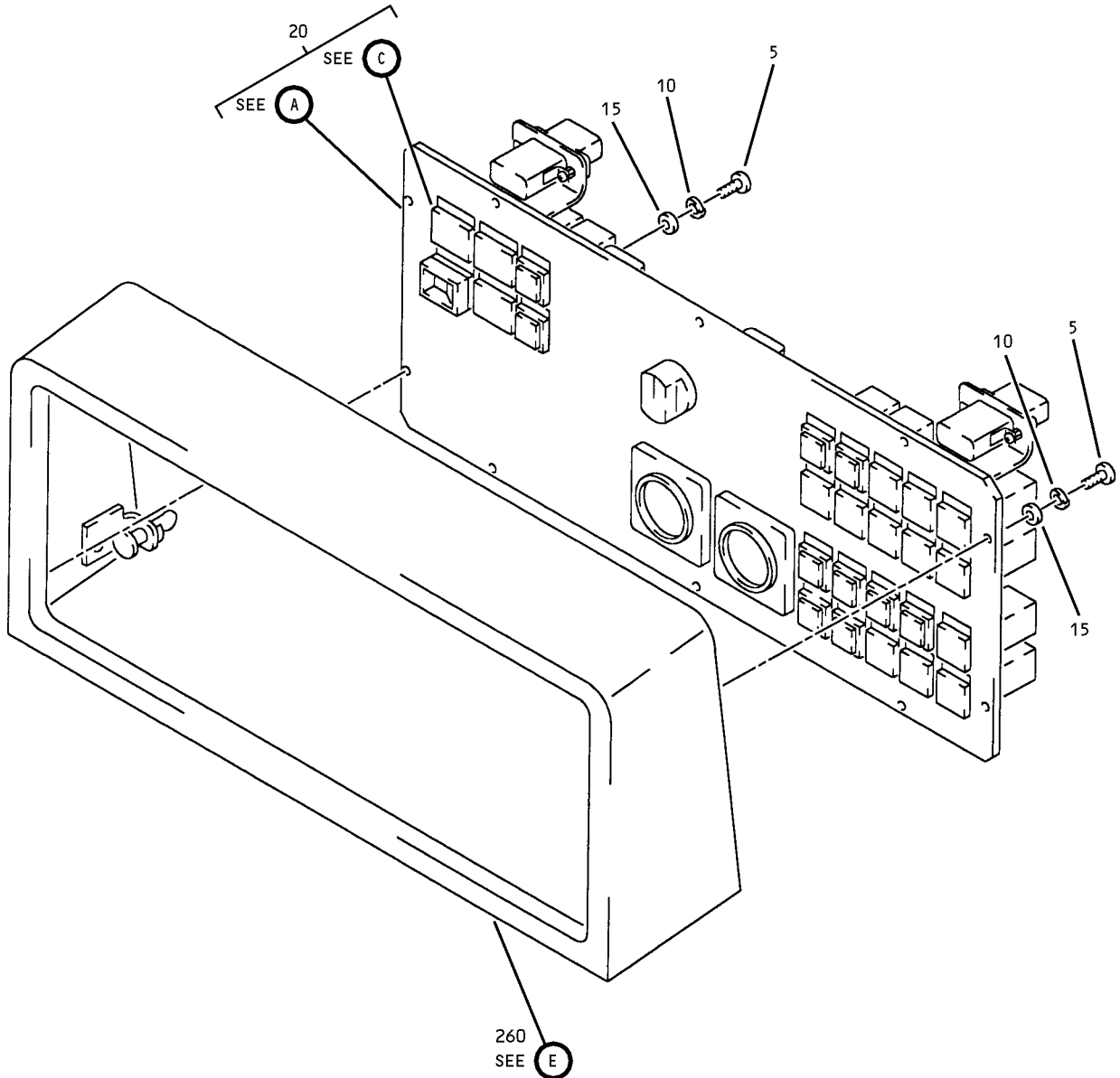
FIG. & ITEM	PART NO.	AIRLINE PART NUMBER	NOMENCLATURE 1234567	EFF CODE	QTY PER ASSY
R 02-380D	MS51830A104		..INSERT- (OPT ITEMS 380, 380A, 380B, 380C)	B,C,F ,H-Q, AA-AE ,AG,A H	11
385	SL6156-08		..STUD- (V97393)	B,C,F ,H-Q, AA,AE ,AG,A H	1
R 387	417T6014-14		..STIFFENER	B,C,F ,H-Q, AA,AE ,AG,A H	1
390	417T6005-2		..BRACKET ASSY-MTG	B,C,F ,H-Q, AA-AE ,AG,A H	1
395	417T6005-4		..BRACKET ASSY-MTG	B,C,F ,H-Q, AA-AE ,AG,A H	1
400	BACS21AP80R		...STUD- (OPT ITEM 400A)	B,C,F ,H-Q, AA-AE ,AG,A H	1
-400A	82-99-341-08		...STUD- (V94222) (SPEC BACS21AP80RP) (OPT ITEM 400)	B,C,F ,H-Q, AA-AE ,AG,A H	1

**25-29-54**

FIG. & ITEM	PART NO.	AIRLINE PART NUMBER	NOMENCLATURE 1234567	EFF CODE	QTY PER ASSY
02-405	BACR12AG2C		...RING- (V94222) (SPEC BACR12AG2C)	B,C,F ,H-Q, AA-AE ,AG,A H	1
410	417T6014-3		...BRACKET- (USED ON ITEM 390)	B,C,F ,H-Q, AA-AE ,AG,A H	1
415	417T6014-6		...BRACKET- (USED ON ITEM 395)	B,C,F ,H-Q, AA-AE ,AG,A H	1
420	417T6007-4		..HINGE-DUAL LATCHING (ALT FROM H1002S1-5W1)	B,C,F ,H-Q, AA-AE ,AG,A H	1
425	417T6007-11		..SHROUD	B,C,F ,H-Q, AA-AE ,AG,A H	1

- Item Not Illustrated

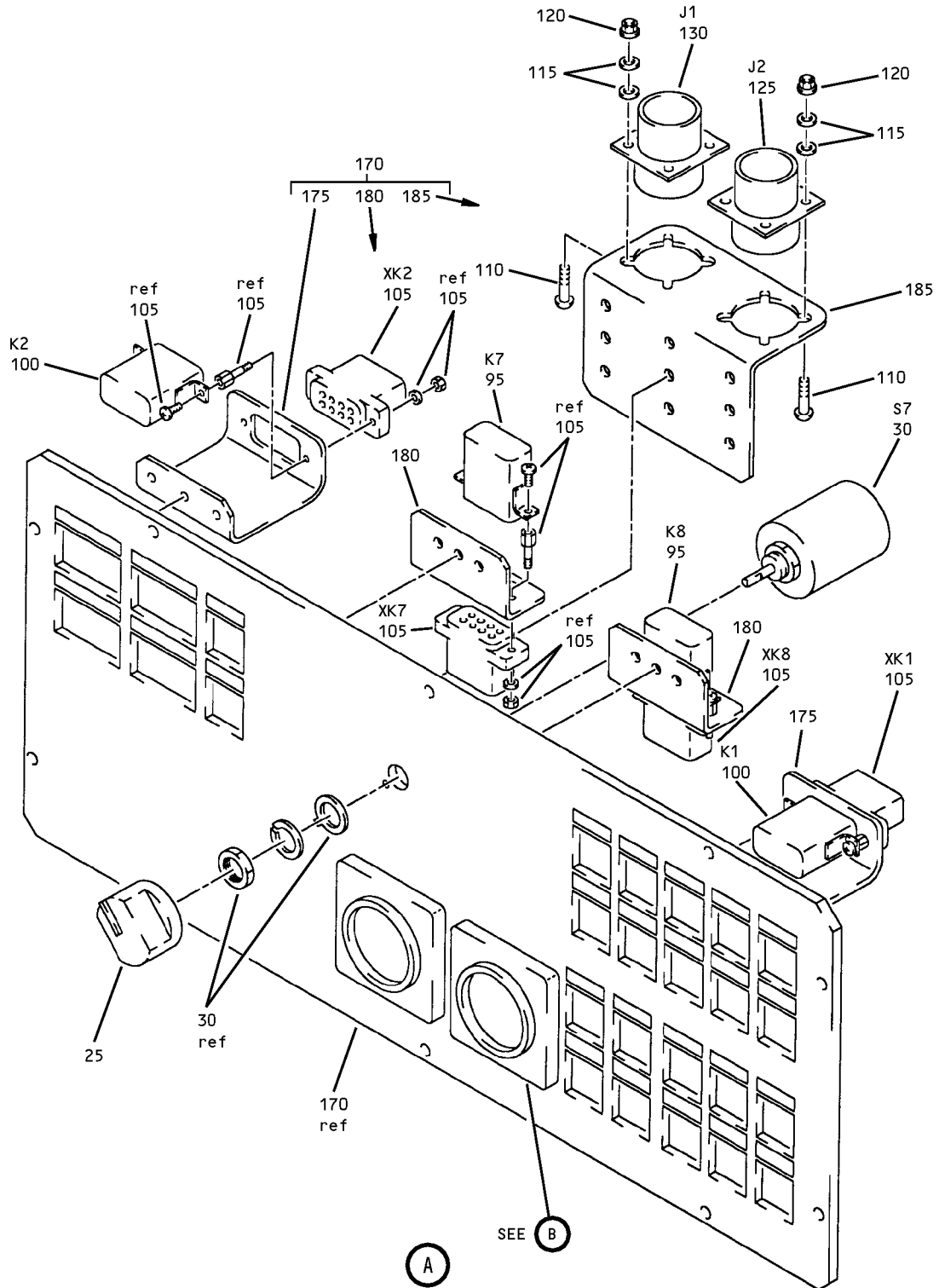
**25-29-54**



Aft Attendants Panel Assembly  
Figure 3 (Sheet 1)

**25-29-54**

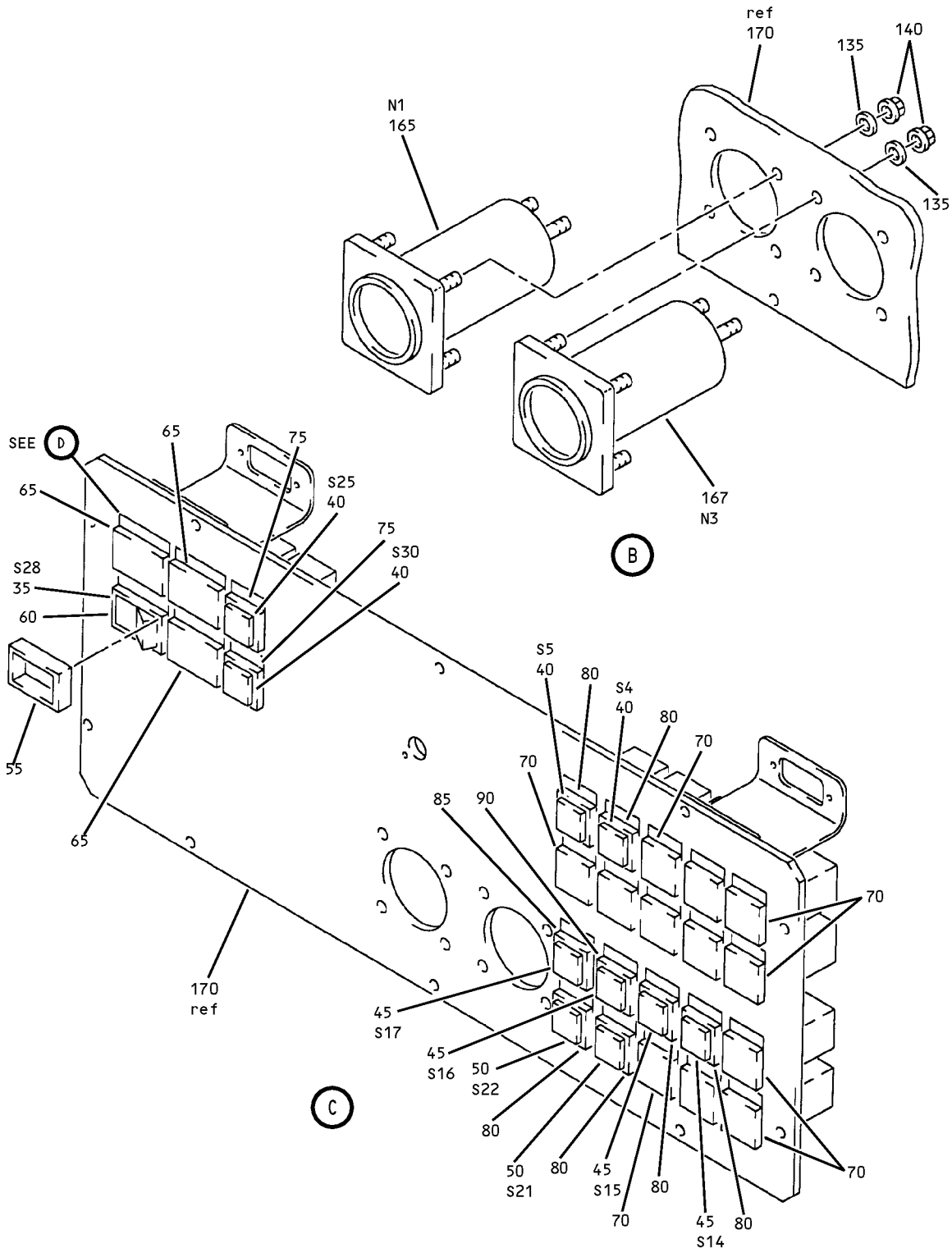
ILLUSTRATED PARTS LIST  
01.1 Page 1066  
Nov 01/01



Aft Attendants Panel Assembly  
 Figure 3 (Sheet 2)

**25-29-54**

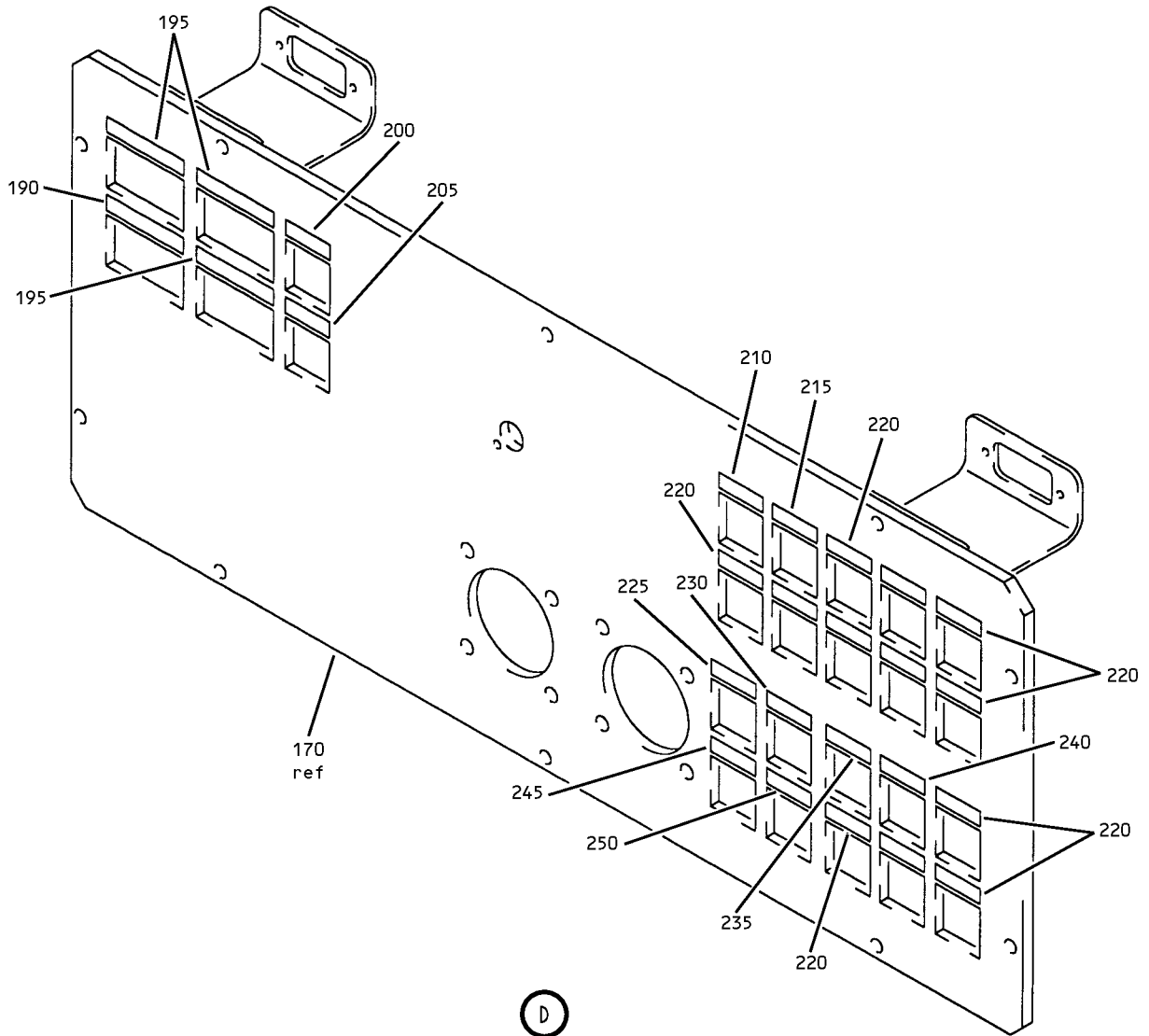
ILLUSTRATED PARTS LIST  
 01.1 Page 1067  
 Nov 01/01



Aft Attendants Panel Assembly  
 Figure 3 (Sheet 3)

**25-29-54**

ILLUSTRATED PARTS LIST  
 01.1 Page 1068  
 Nov 01/01

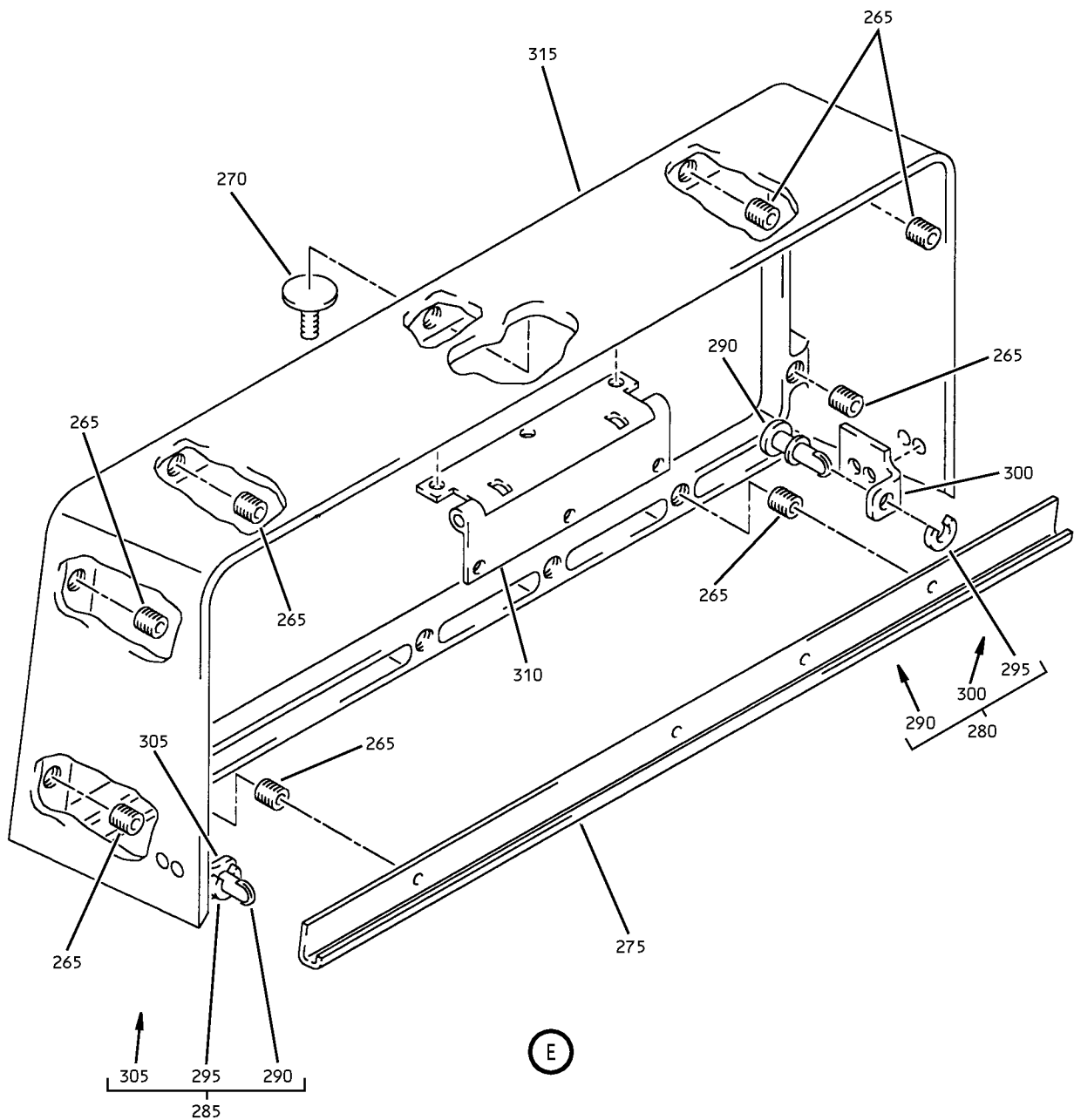


Aft Attendants Panel Assembly  
Figure 3 (Sheet 4)

**25-29-54**

ILLUSTRATED PARTS LIST  
01.1 Page 1069  
Nov 01/01





Aft Attendants Panel Assembly  
 Figure 3 (Sheet 5)

**25-29-54**

ILLUSTRATED PARTS LIST  
 01.1 Page 1070  
 Nov 01/01

FIG. & ITEM	PART NO.	AIRLINE PART NUMBER	NOMENCLATURE 1234567	EFF CODE	QTY PER ASSY
R 03-1A	285T0629-78		PANEL ASSY-AFT ATTENDANTS (POST SB 417T6010-25-02)	AL	RF
R 5	MS51957-41		.SCREW (OPT ITEM 5A)	AL	10
-5A	MS51957-43		.SCREW (OPT ITEM 5)	AL	10
R 10	MS35338-137		.WASHER-SPRING	AL	10
R 15	NAS1149CN816R		.WASHER	AL	10
R 20	285T0630-194		.WIRING ASSY-FACEPLATE	AL	1
R 25	RD409-101		..KNOB- (V15084)	AL	1
R 30	44MY232796		..SWITCH-ROTARY THREE DECKS (V81073) (S7)	AL	1
R 35	2400-3		..SWITCH-ROCKER (V91929) (S28)	AL	1
R 40	2100-3		..SWITCH-TWO POLE ALT (V91929) (S4, S5, S25, S30)	AL	4
R 45	2100-1		..SWITCH-TWO POLE MOM (V91929) (S14-S17)	AL	4
R 50	2100-25		..SWITCH-4 POLE MOM (V91929) (S21, S22)	AL	2
R 55	417T6019-1		..BEZEL-RAISED	AL	1
R 60	2400-100		..LENS-WHITE (V91929)	AL	1
R 65	AML78FB001		..PLUG-RECTANGULAR (V91929)	AL	3
R 70	AML78CB001		..PLUG-SQUARE (V91929)	AL	12
R 75	2100-143		..LENS-WHITE, AMBER INSERT, PWR ON LEGEND (V91929)	AL	2

25-29-54

FIG. & ITEM	PART NO.	AIRLINE PART NUMBER	NOMENCLATURE 1234567	EFF CODE	QTY PER ASSY
R 03-80	2100-100		..LENS-WHITE, NO COLOR INSERT, NO LEGEND (V91929)	AL	6
R 85	2100-235		..LENS-WHITE, AMBER INSERT, F-1, MS-L, A-R LEGEND (V91929)	AL	1
R 90	2100-236		..LENS-WHITE, AMB INSERT, FS-L, MS-R, A-L LEGEND (V91929)	AL	1
R 95	61GB2319-1A320		..RELAY- (V98927) (SPEC BACR13CF2AB) (OPT JD4L018 (V35344)) (OPT JD4L031 (V35344)) (OPT BR246S0111 (V56623)) (OPT BR64S105 (V56623)) (OPT FCA210-71 (V78290)) (OPT ES210-1632 (V99699)) (K6, K7)	AL	2
R 100	61GB19-1A320		..RELAY- (V98927) (SPEC BACR13CF2A) (OPT BR246S0112 (V56623)) (OPT FCA210-70 (V78290)) (OPT E215-1050 (V99699)) (OPT JD4A017 (V35344)) (OPT BR64S104 (V56623)) (OPT E210-1631 (V99699)) (K1, K2)	AL	2

# 25-29-54

 ILLUSTRATED PARTS LIST  
 01.1 Page 1072  
 Nov 01/01

FIG. & ITEM	PART NO.	AIRLINE PART NUMBER	NOMENCLATURE 1234567	EFF CODE	QTY PER ASSY
R 03-105	000300-1538		..SOCKET-RELAY (V05574) (SPEC BACS16X1A) (OPT 102-006-1 (V09922)) (OPT RSF116200 (V58982)) (XK1, XK2, XK6, XK7)	AL	4
R 110	MS51957-14		..SCREW	AL	8
R 115	NAS620C4L		..WASHER	AL	16
R 120	MS21043-04		..LOCKNUT	AL	8
R 125	BACC45FN18-31P		..CONNECTOR- (J2)	AL	1
R 130	BACC45FN18-31P6		..CONNECTOR- (J1)	AL	1
R 135	NAS1149CN616R		..WASHER	AL	8
R 140	MS21043-06		..NUT	AL	8
R -145	52273-1		..TERMINAL- (V00779) (SPEC BACT12AR201)	AL	5
R -150	BB823-04		..TERMINAL- (V98410) (SPEC BACT12AC52) (OPT R2441SN (V14726)) (OPT 328996 (V00779)) (OPT 324159 (V00779))	AL	1
R -155	61060-1		..TERMINAL-POKE ON (V00779) (OPT ITEM 155A)	AL	AR
R -155A	60729-1		..TERMINAL-POKE ON (V00779) (OPT ITEM 155)	AL	AR

**25-29-54**

FIG. & ITEM	PART NO.	AIRLINE PART NUMBER	NOMENCLATURE 1234567	EFF CODE	QTY PER ASSY
R 03-160	640929-1		..TERMINAL-POKE ON (V00779)	AL	AR
R 165	10290N01Y00		..INDICATOR-POTABLE WATER QTY (V61349) (N1) (SPEC S417T600-6)	AL	1
R 167	523557		..INDICATOR-WASTE WATER QTY (V61349) (N3) (SPEC S417T600-5)	AL	1
R 170	285T0658-157		..FACEPLATE ASSY	AL	1
R 175	417T6017-1		...BRACKET-MTG	AL	2
R 180	285T0005-5		...BRACKET-MTG	AL	2
R 185	417T6017-9		...BRACKET-MTG	AL	1
R 190	417T6012-4		..DECAL-SLIP IN, EMER LTS	AL	1
R 195	417T6012-2		..DECAL-SLIP IN, NO LEGEND	AL	3
R 200	417T6012-11		..DECAL-SLIP IN, ENTRY L	AL	1
R 205	417T6012-13		..DECAL-SLIP IN, ENTRY R	AL	1
R 210	417T6012-7		..DECAL-SLIP IN, ATTDND L	AL	1
R 215	417T6012-9		..DECAL-SLIP IN, ATTDND R	AL	1
R 220	417T6012-3		..DECAL-SLIP IN, NO LEGEND	AL	12
R 225	417T6012-67		..DECAL-SLIP IN, LAV INOP AFT TANK	AL	1
R 230	417T6012-69		..DECAL-SLIP IN, LAV INOP FWD TANK	AL	1
R 235	285T0620-25		..DECAL-SLIP IN, SNSR FOUL AFT TANK	AL	1
R 240	285T0620-27		..DECAL-SLIP IN, SNSR FOUL FWD TANK	AL	1
R 245	285T0620-37		..DECAL-SLIP IN, LVL IND AFT TANK	AL	1
R 250	285T0620-39		..DECAL-SLIP IN, LVL IND FWD TANK	AL	1
R 260	417T6007-9		.SHROUD ASSY	AL	1
R 265	NAS1394-08		..INSERT- (OPT ITEMS 265A, 265B, 265C, 265D)	AL	11
R -265A	1185-2CN0164		..INSERT- (V26014) (OPT ITEMS 265, 265B, 265C, 265D)	AL	11

# 25-29-54

 ILLUSTRATED PARTS LIST  
 01.1 Page 1074  
 Nov 01/01

FIG. & ITEM	PART NO.	AIRLINE PART NUMBER	NOMENCLATURE 1234567	EFF CODE	QTY PER ASSY
R 03-265B	TNC2C0164		..INSERT- (V29372) (OPT ITEMS 265, 265A, 265C, 265D)	AL	11
R -265C	KN0832JMXSZ		..INSERT- (V29372) (OPT ITEMS 265, 265A, 265B, 265D)	AL	11
R -265D	MS51830A104		..INSERT- (OPT ITEMS 265, 265A, 265B, 265C)	AL	11
R 270	SL6156-08		..STUD- (V97393)	AL	1
R 275	417T6014-14		..STIFFENER	AL	1
R 280	417T6005-2		..BRACKET ASSY-MTG	AL	1
R 285	417T6005-4		..BRACKET ASSY-MTG	AL	1
R 290	BACS21AP80R		...STUD- (OPT ITEM 290A)	AL	1
R -290A	82-99-341-08		...STUD- (V94222) (SPEC BACS21AP80RP) (OPT ITEM 290)	AL	1
R 295	BACR12AG2C		...RING- (V94222) (SPEC BACR12AG2C)	AL	1
R 300	417T6014-3		...BRACKET- (USED ON ITEM 280)	AL	1
R 305	417T6014-6		...BRACKET- (USED ON ITEM 285)	AL	1
R 310	417T6007-4		..HINGE-DUAL LATCHING RELEASE (ALT FROM H1002S1-5W1)	AL	1
R 315	417T6007-11		..SHROUD	AL	1

- Item Not Illustrated

**25-29-54**